

Epson Stylus® Pro 4800

PRINTER GUIDE

All rights reserved. No part of this publication may be reproduced, stored in a retrieval system, or transmitted in any form or by any means, electronic, mechanical, photocopying, recording, or otherwise, without the prior written permission of Seiko Epson Corporation. The information contained herein is designed only for use with these Epson printers. Epson is not responsible for any use of this information as applied to other printers.

Trademarks

Epson, Epson Stylus, Epson ESC/P, and MicroWeave are registered trademarks of Seiko Epson Corporation. PhotoEnhance, UltraSmooth, and Epson UltraChromeK3 are trademarks, and Epson Preferred and Epson Store are service marks, of Epson America, Inc.

General Notice: Other product names used herein are for identification purposes only and may be trademarks of their respective owners. Epson disclaims any and all rights in those marks.

The ENERGY STAR emblem does not represent EPA endorsement of any product or service.

Legal Notices

Neither Seiko Epson Corporation nor its affiliates shall be liable to the purchaser of this product or third parties for damages, losses, costs, or expenses incurred by purchaser or third parties as a result of: accident, misuse, or abuse of this product or unauthorized modifications, repairs, or alterations to this product, or (excluding the U.S.) failure to strictly comply with Seiko Epson Corporation's operating and maintenance instructions.

Seiko Epson Corporation shall not be liable for any damages or problems arising from the use of any options or any consumable products other than those designated as Original Epson Products or Epson Approved Products by Seiko Epson Corporation.



Printed on recycled paper.

FCC Compliance Statement

For United States Users

This equipment has been tested and found to comply with the limits for a Class B digital device, pursuant to Part 15 of the FCC Rules. These limits are designed to provide reasonable protection against harmful interference in a residential installation. This equipment generates, uses, and can radiate radio frequency energy and, if not installed and used in accordance with the instructions, may cause harmful interference to radio or television reception. However, there is no guarantee that interference will not occur in a particular installation. If this equipment does cause interference to radio and television reception, which can be determined by turning the equipment off and on, the user is encouraged to try to correct the interference by one or more of the following measures:

- Reorient or relocate the receiving antenna.
- Increase the separation between the equipment and receiver.
- Connect the equipment into an outlet on a circuit different from that to which the receiver is connected.
- Consult the dealer or an experienced radio/TV technician for help.

WARNING

The connection of a non-shielded equipment interface cable to this equipment will invalidate the FCC Certification of this device and may cause interference levels which exceed the limits established by the FCC for this equipment. It is the responsibility of the user to obtain and use a shielded equipment interface cable with this device. If this equipment has more than one interface connector, do not leave cables connected to unused interfaces. Changes or modifications not expressly approved by the manufacturer could void the user's authority to operate the equipment.

For Canadian Users

This Class B digital apparatus complies with Canadian ICES-003.

Cet appareil numérique de la classe B est conforme à la norme NMB-003 du Canada.

Contents

Introduction

Warnings, Cautions, Notes, and Tips	9
Options and Accessories	10
Where To Get Help	10
Macintosh System Requirements	11
Windows System Requirements	12
Energy Star Compliance	12
Important Safety Instructions	13
Ink Cartridge Safety Instructions	15

1 Setting Up the Printer

Unpacking	17
Setting Up and Plugging In	19
Installing Ink	20
Connecting to Your System	22
Connecting to the Network	23
Installing the Software	25
Macintosh	25
Windows	28
Updating Your Printer Firmware	30
Downloading the Firmware	30
Macintosh	30
Windows	34

2 Handling Paper and Other Media

Selecting Media for Your Printer	37
Guidelines for Using Epson Media	38
Using Cut Sheet Paper	38
Cut Sheet Paper Paths	39
Loading Paper in the Paper Tray	40
Using the Front Manual Feed Slot	46
Using the Top Manual Feed Slot	49

Using Roll Paper	50
Roll Paper Guidelines	50
Loading the Paper onto the Spindle	51
Placing the Paper in the Printer	52
Removing Paper from the Spindle	56
Switching Between 2-Inch and 3-Inch Roll Paper	56
Cutting Paper Manually with the Built-in Cutter	57
Printing Trim Lines	58
Adjusting the Platen Gap for Thick or Thin Paper	58
Optimizing the Settings for Your Paper	59
Creating Paper Configurations	60
Selecting Paper Configurations	61

3 Printing with Epson Drivers for Macintosh

Choosing Page Setup Options	64
Choosing Basic Print Options	67
Choosing Color Management and Paper Configuration Options	71
Choosing Roll Paper Options	73
Borderless Printing	74
Creating a Custom Preset and Printing	75
Choosing Advanced Black and White Photo Settings	77
Monitoring Print Jobs	79
Checking Ink Levels and Maintenance Tank	80

4 Printing with Epson Drivers for Windows

Choosing Basic Print Options	84
Choosing Paper and Layout Options	86
Choosing Cut Sheet Paper Options	87
Choosing Roll Paper Options	88
Borderless Printing	91
Choosing Advanced Print Options	91
Choosing Advanced Black and White Photo Settings	95
Managing Print Jobs	97
Using the Progress Meter	98
Setting Monitoring Preferences and Optimizing Print Speed	98

5 Maintaining and Transporting the Printer

Checking Printer Status and Part Life	102
Printing Status Information	102
Viewing Status Information	103
Checking and Cleaning the Print Head	104
Running a Power Cleaning Cycle	106
Aligning the Print Head	107
Replacing Ink Cartridges	108
Changing the Black Ink Cartridge	113
Draining the Old Ink	114
Installing the New Black Ink Cartridge	114
Updating the Printer Driver Information	115
Performing Additional Maintenance Tasks	116
Changing the Date and Time	116
Using the Maintenance Mode	116
Replacing the Paper Cutter Blade	118
Replacing the Maintenance Tank	121
Cleaning the Printer	123
Transporting or Storing the Printer	123
Preparing the Printer for Shipment	124
Setting Up the Printer After Transportation	125
Uninstalling and Reinstalling the Printer Driver	126
Macintosh	126
Windows	126
Removing the Optional Print Server Card	127

6 Solving Problems

Diagnosing Problems	129
Checking Error Messages and Lights	130
Improving Print Quality	135
Solving Operational Problems	138
Solving Miscellaneous Printing Problems	139
Solving Paper Problems	141
Clearing Roll Paper Jams	142
Clearing Paper Tray Jams	144
Clearing Paper Jams from the Manual Feed Slots	146

A Specifications

Environmental	149
Electrical	149
Dimensions	149
Weight	150
Printer Interfaces	150
Safety Approvals	150
Media	150
Roll Paper	150
Cut Sheets	151
Printable Area	151
Ink Cartridges	152

Index

Introduction

This *Printer Guide* provides important information on setting up and using your printer, selecting paper, and replacing ink cartridges. It also tells you how to maintain your printer to keep it working at its best, and provides troubleshooting tips in case you have a problem.

For additional information, see the following:

- The *Quick Reference Guide* provides a handy summary of procedures for daily use and printer maintenance—loading paper, replacing ink cartridges and other components, checking and aligning the print head, and understanding error messages. Attach it to your printer for easy reference.
- The electronic *Reference Guide* on the CD-ROM provides additional information about the printer, drivers, and utility software. You can read the guide using a web browser, such as Safari™ 1.0 or later, Mozilla Firefox 1.0 or later, or Netscape® Navigator® or Microsoft® Internet Explorer, versions 4.0 or later.

Warnings, Cautions, Notes, and Tips

These symbols are used in this book:

WARNINGS must be followed carefully to avoid bodily injury.

Cautions must be observed to avoid damage to your equipment.

Notes contain important information about your printer.

Tips contain additional hints on how to get the most out of your printer.

Tip: Check the Epson Pro Graphics web site at <http://prographics.epson.com> for accessories and options that are currently available.

Options and Accessories

Your Epson Stylus® Pro 4800 offers these optional upgrades and accessories:

Optional equipment and software

Option	Part number
Epson Stylus Pro 4800 Printer Cabinet Stand	C4800STAND
Internal 10/100 BaseTX (Ethernet™) Type-B Print Server (interface card)*	C12C824052
Paper Roller Spindle (Normal Tension) — 2- or 3-inch	C12C811171
Paper Roller Spindle (High Tension) — 2- or 3-inch	C12C811191
One-year extended warranty	EPP48B1
Two-year extended warranty	EPP48B2

* See Appendix A for details.

In addition, you can order these user-replaceable items:

Consumables and user-replaceable parts

Part	Part number
Replacement Ink Maintenance Tank*	C12C890191
Replacement Printer Cutter Blade**	C12C815291
Ink Cartridges	See page 110 for a complete listing.

* See page 121 for details.

** Replaces the blade for the printer's built-in cutter (see page 118).

You can purchase genuine Epson® ink and paper from an authorized Epson reseller. To find the nearest reseller, please call 800-GO-EPSON (800-463-7766). To purchase online, visit www.epsonstore.com (U.S. sales only). In Canada, please call (800) 463-7766 for reseller referral.

Where To Get Help

Epson provides technical support and information on the installation, configuration, and operation of professional printing products through the Epson Preferred™ Protection Plan. Dial (888) 377-6611, 6 AM to 6 PM, Pacific Time, Monday through Friday. Support hours and days are subject to change without notice.

Tip: If you experience difficulty with the toll-free line or your Unit ID number, call (562) 276-1305.

Before you call, make sure you have your Unit ID number, which is included with the Epson Preferred Protection Plan information that came with your printer. You'll also need your printer serial number and proof of purchase.

Epson also provides technical assistance 24 hours a day through the World Wide Web. You can reach Epson Support at <http://support.epson.com>. At this site, you can download drivers, firmware, and other files, look at product documentation, access troubleshooting information, and receive technical advice through e-mail.

You can purchase genuine Epson ink and paper from an authorized Epson reseller. To find the nearest reseller, please call 800-GO-EPSON (800-463-7766). To purchase online, visit www.epsonstore.com (U.S. sales only). In Canada, please call (800) 463-7766 for reseller referral.

Macintosh System Requirements

To use your printer in either a stand-alone or peer-to-peer network environment, your Macintosh® system should include the requirements listed below:

- Mac OS X 10.3.9 or later
- 1.25 GHz or higher processor (G5 recommended)
- At least 1GB of RAM
- At least 60MB of free hard disk space to install the software, and at least 2GB of free hard disk space for processing files (8GB or more available hard disk space recommended)
- Quad-speed (4×) or faster CD-ROM or DVD drive for installing the printer software
- For USB connection: a compliant USB 2.0 port and a shielded USB “AB” cable from Series A (computer) to Series B (printer), up to 10 feet long
- For IEEE 1394 (FireWire) connection: a shielded IEEE 1394 cable up to 10 feet long
- For network connection: the optional Ethernet card (described on page 10) and a compatible cable

Caution: Using an improperly shielded cable—especially a cable more than 10 feet long—may cause the printer to malfunction.

Note: USB 2.0 is required to allow the printer to run at full speed.

Windows System Requirements

To use your printer in either a stand-alone or peer-to-peer network environment, your system should include the requirements listed below:

- IBM®-compatible PC with a Pentium® IV 1.7 GHz or higher processor recommended
- Windows® 2000 or XP
- For 10/100 Base TX Ethernet connection: Ethernet equipped PC
- At least 1GB of RAM
- At least 100MB of free hard disk space to install the software, and at least 2GB of free hard disk space for processing files (8GB or more available hard disk space recommended)
- Quad-speed (4x) CD-ROM or DVD drive for installing the printer software
- For USB connection: a Windows-compliant USB 2.0 port and a shielded USB “AB” cable from Series A (computer) to Series B (printer), up to 10 feet long
- For IEEE 1394 (FireWire) connection: a shielded IEEE 1394 cable up to 10 feet long
- For network connection: the optional Ethernet interface card (described on page 10) and a compatible cable



ENERGY STAR Compliance

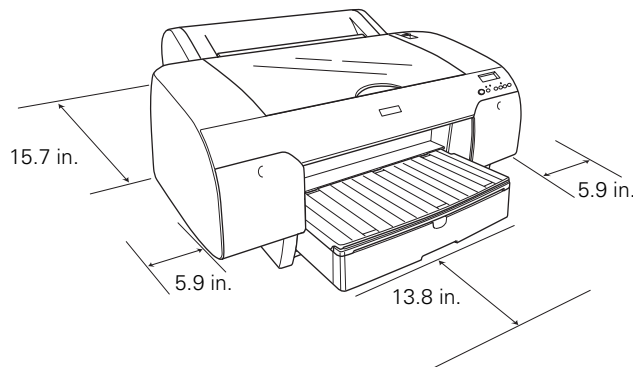
As an ENERGY STAR® Partner, Epson has determined that this product meets the ENERGY STAR guidelines for energy efficiency.

The EPA ENERGY STAR Office Equipment program is a voluntary partnership with the computer and office equipment industry to promote the introduction of energy-efficient personal computers, monitors, printers, fax machines, and copiers in an effort to reduce air pollution caused by power generation.


Important Safety Instructions

Before using your printer, read the following safety instructions to make sure you use the equipment safely and effectively.

- The printer weighs about 88 lb (without ink or paper), and should be lifted by two people.
- When setting up the printer, make sure you have enough space around it, as shown below. You may need more space behind the printer if you print on large sheets of heavy stock or posterboard.



- Place the printer on a flat, stable surface that is larger than this product. This printer will not operate properly if it is tilted or at an angle.
- Avoid places subject to rapid changes in temperature and humidity. Also keep this product away from direct sunlight, strong light, or heat sources.
- Avoid places subject to shocks and vibrations.
- Keep this product away from dusty areas.
- Place this product near a wall outlet where the plug can be easily unplugged.
- If you use a stand, make sure it can support at least 110.3 lb (50 kg)
- Use only the type of power source indicated on the label.
- Use only the power cord that comes with this product. Use of another cord may result in fire or electric shock.

Caution: Always turn the printer off using the  Power button. When you press this button, **POWER OFF** appears on the LCD panel. Do not unplug the printer or turn off the power to the printer until the panel shuts off. This ensures that the print head is safely capped.

- This product's power cord is designed for use with this product only. Using it with other equipment may result in fire or electric shock.
- Do not use a damaged or frayed power cord.
- If you use an extension cord with this product, make sure the total ampere rating of devices plugged into the extension cord does not exceed the cord's ampere rating. Also, make sure the total ampere rating of all devices plugged into the wall outlet does not exceed the wall outlet's ampere rating.
- Do not block or cover the openings in this product's cabinet.
- Do not put your hand inside this product or touch the ink cartridges during printing.
- Do not move the print head by hand; otherwise you may damage this product.
- Do not insert objects through the slots. Take care not to spill liquid on this product.
- Do not attempt to service this product yourself.
- Power down the printer from the control panel, unplug the printer, and refer servicing to qualified service personnel under the following conditions:

The power cord or plug is damaged; liquid has entered this product; this product has been dropped or the cabinet damaged; this product does not operate normally or exhibits a distinct change in performance.

Caution: Do not shake cartridges (that have been installed previously) with too much force.

Ink Cartridge Safety Instructions

- Keep ink cartridges out of the reach of children and do not drink the ink.
- Store ink cartridges in a cool, dark place.
- If ink gets on your skin, wash it off with soap and water. If ink gets in your eyes, flush them immediately with water.
- Shake an ink cartridge well before installing it for best results.
- Do not use an ink cartridge beyond the date printed on the cartridge carton.
- Use up the ink cartridge within six months of installation for best results.
- Do not dismantle the ink cartridges or try to refill them. This could damage the print head.
- Do not touch the ink supply port or its surrounding area and the green IC chip on the side of the ink cartridge. Doing so may affect normal operation and printing.

Chapter 1: Setting Up the Printer

This chapter includes the following information:

- Unpacking
- Setting up and plugging in
- Installing ink
- Connecting to your system
- Connecting to the network
- Installing the software
- Updating your printer firmware

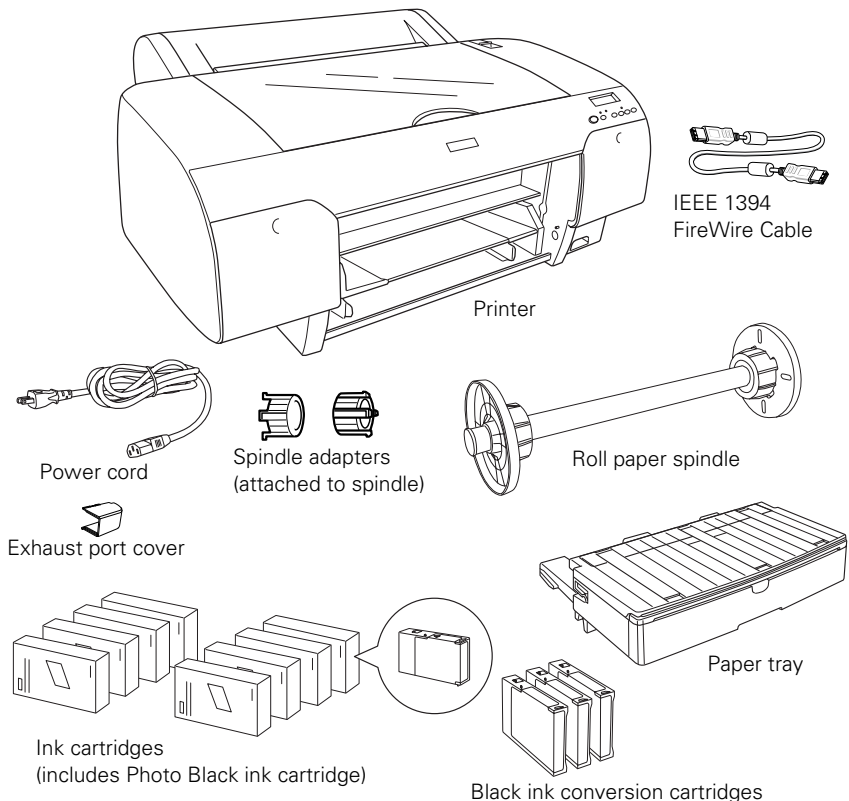
Unpacking

1. Make sure you have all these parts for your Epson Stylus Pro 4800:

WARNING: The printer weighs about 88 pounds, and should be lifted by two people.

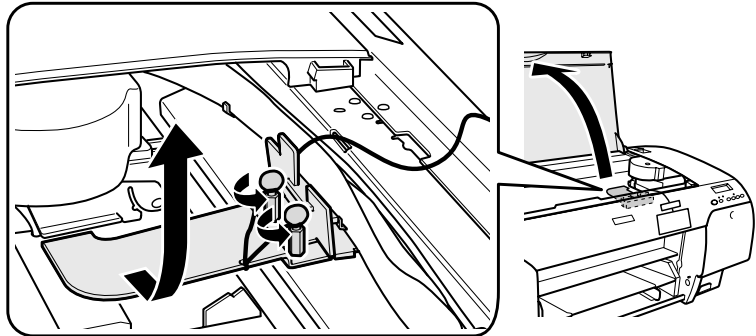
Note: The printer also includes a black ink conversion kit (3 cartridges). Save the kit in case you want to change your black ink cartridge later. (See page 113.)

The printer includes a Photo Black cartridge. If you prefer to use Matte Black, the Matte Black cartridge can be purchased separately. See page 110.

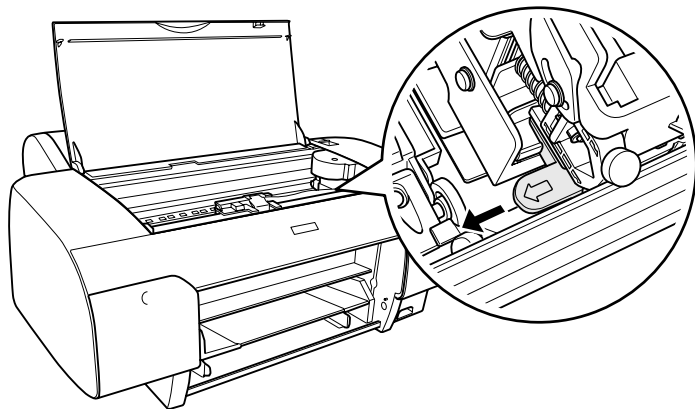


Note: To prevent paper jams, don't place the screws back in the printer.

2. Remove all the packing materials and tape. Save the box and packaging in case you need to ship the printer.
3. Remove the two screws and remove the carriage retainer bracket. Store the screws and retainer bracket in case you need to transport the printer later.

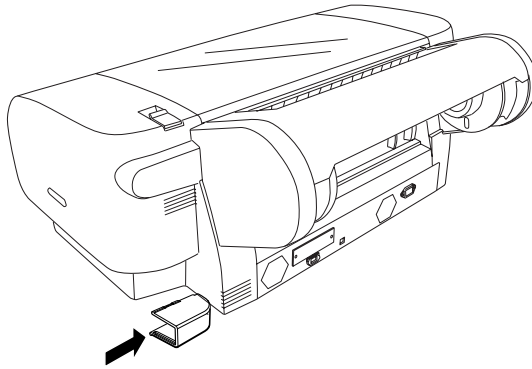


4. Unlock the print head carriage by pulling the green tab to the left. Do not push down and do not remove the tab.

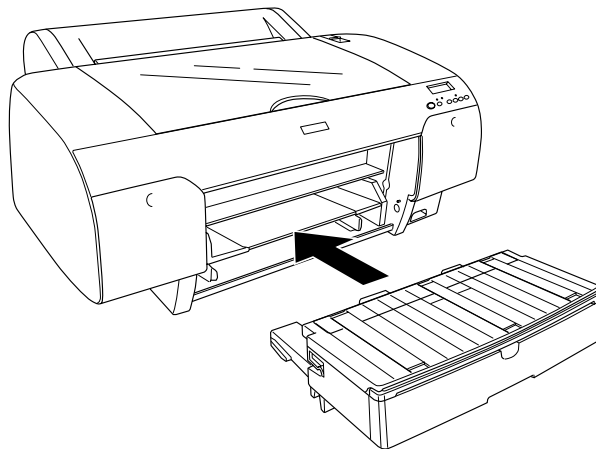


Setting Up and Plugging In

1. Connect the power cord to the AC inlet on the back of the printer.
2. Plug the other end of the power cord into a properly grounded electrical outlet.
3. Attach the exhaust port cover by sliding it along the slots on the back of the printer.




4. Insert the paper tray into the slots at the front of the printer.

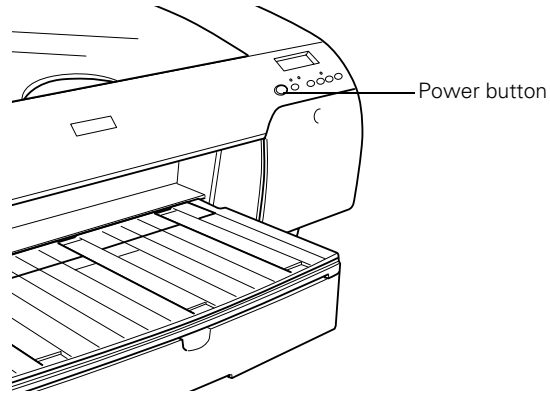


Installing Ink

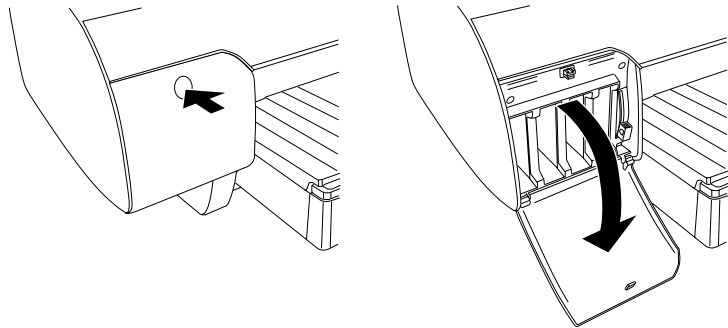
Note: The default black ink cartridge is Photo Black. If you prefer to use Matte Black (sold separately; see page 110), you can install the Matte Black cartridge immediately instead of installing the supplied Photo Black cartridge.

Use the ink cartridges that came with your printer for initial ink charging. During the initial installation process, it is normal for up to one-third of the ink in each cartridge to be used.

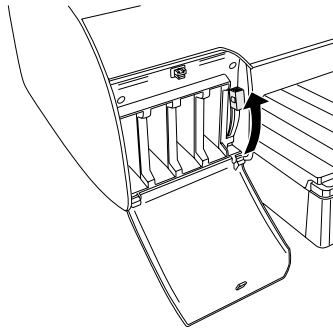
1. Press the  Power button to turn on the printer.



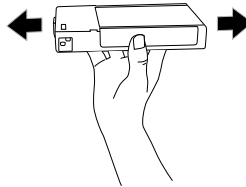
2. Press both ink compartment covers to open them.



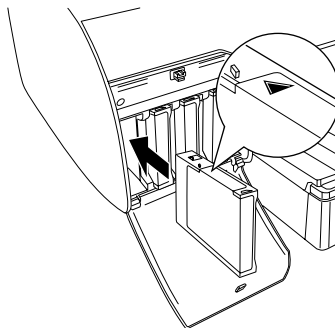
3. Raise both ink levers.



4. Remove each ink cartridge from its package and gently shake the cartridge.

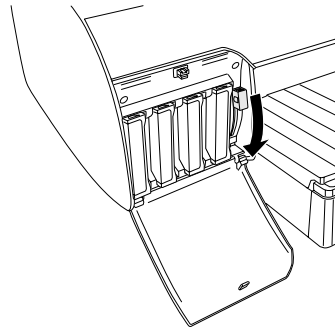


5. Install the ink cartridges in the printer. Hold each cartridge with the arrow pointing toward the printer, then insert it into its slot. Make sure you insert each cartridge in the correct slot.



Caution: Charging takes about 8 minutes. Never turn off the printer, release the paper lever, or open the cover while the Pause light is flashing, or you may damage the printer.

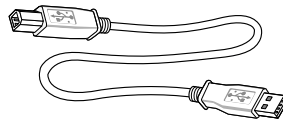
6. After installing all 8 cartridges, lower the ink levers. The printer begins charging the ink delivery system and the ■■ Pause light flashes.



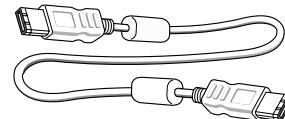
7. When ink lever messages appear on the LCD, follow the instructions to raise or lower the ink levers.
8. When READY appears on the LCD display, charging is complete. Press the ■■ Pause button as indicated and close the ink compartment covers.

Connecting to Your System

You can use either USB or FireWire connections. Make sure your system has the appropriate port, and you have a standard, shielded cable 10 feet long or less.



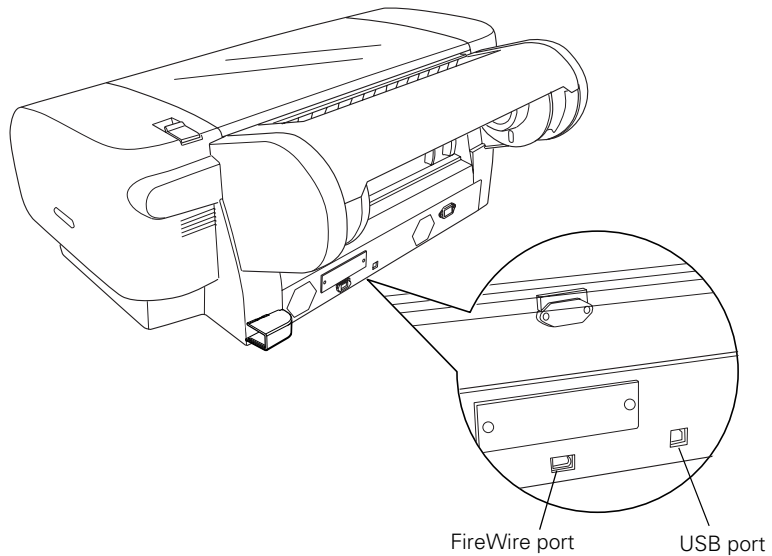
USB Cable



FireWire Cable (included)

1. Make sure that both the printer and the computer are off.

2. Plug the interface cable into the appropriate port on the printer.



3. Plug the other end of the cable into the appropriate connector on your computer.

Connecting to the Network

If you plan to attach the printer to your network, you need the optional EpsonNet print server card. The EpsonNet print server is a 10/100 BaseTX Type B Ethernet interface card (part number C12C824052).

You can purchase the print server card and other optional equipment and supplies from an authorized Epson reseller. To find the nearest reseller, please call 800-GO-EPSON (800-463-7766). To purchase online, visit www.epsonstore.com (U.S. sales only). In Canada, please call (800) 463-7766 for reseller referral.

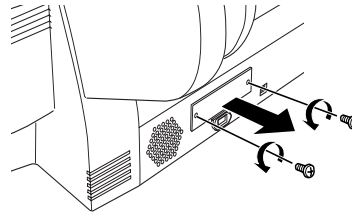
Make sure you have the correct cable for connecting the printer. To connect to a network hub, you need a standard RJ-45 “straight-through” network cable. To connect directly to your computer’s network interface, you need an RJ-45 crossover cable.

Before you install the print server, make sure you check the documentation included with the card for additional instructions. Then follow these steps to install the card:

Caution: You *must* unplug the printer from the power outlet, or you may damage the printer and the card.

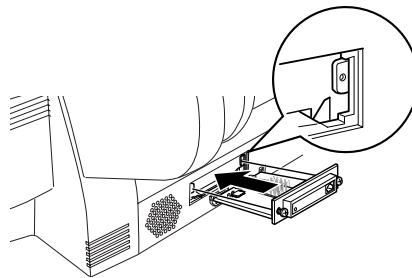
Note: You need to remove the card when shipping the printer. See page 127.

1. Turn off your computer and printer.
2. **IMPORTANT:** Unplug the printer from its electrical outlet. Not doing so may cause damage to the printer and the card.
3. Disconnect any interface cables from the printer.
4. Use a cross-head screwdriver to remove the two screws securing the optional interface cover. Then lift off the cover as shown:



Make sure you keep the screws in case you need to remove the card and replace the cover.

5. Slide the card along the slots inside the compartment. Push it in firmly to fully insert the connector into the printer's internal slot.



6. Use the two screws included with the card to secure it.
7. Connect one end of the appropriate cable to the card. Then connect the other end to your computer's Ethernet port or hub.

8. Plug in the printer's power cord.

Once the printer is connected to your network, you need to configure it. Turn on the printer and press the small black button on the back of the Ethernet card. Hold it down until the printer starts printing a series of status sheets. See the documentation that came with the print server for instructions on configuring it for your network.

Installing the Software

Note: You can check for a newer version of your printer driver on the Epson support site at www.support.epson.com.

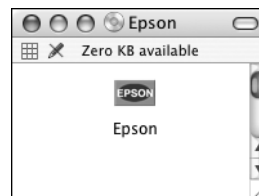
The instructions are based on Mac OS X 10.3.9 (Panther). If you are using Mac OS X 10.4.x (Tiger) the driver installation may be slightly different.

Follow the steps below for Macintosh or Windows.

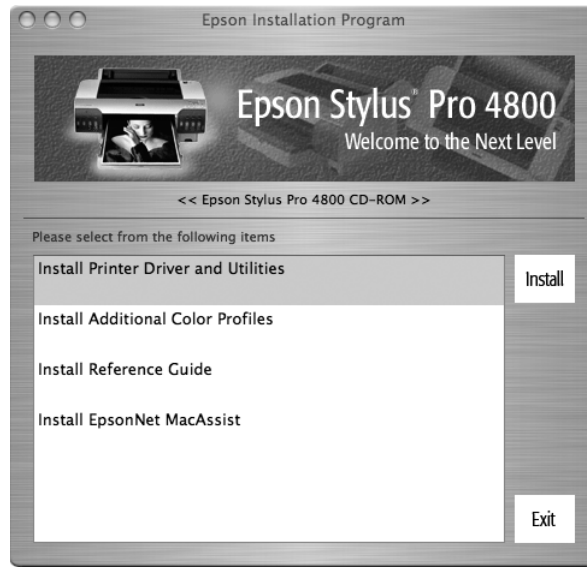
Macintosh

1. Turn on your Macintosh and your printer.
2. Insert the printer software CD-ROM. If necessary, double-click the **Epson CD-ROM** to open its window.

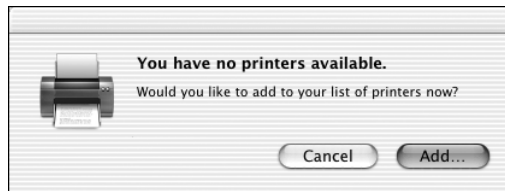
You see the Epson installer icon.



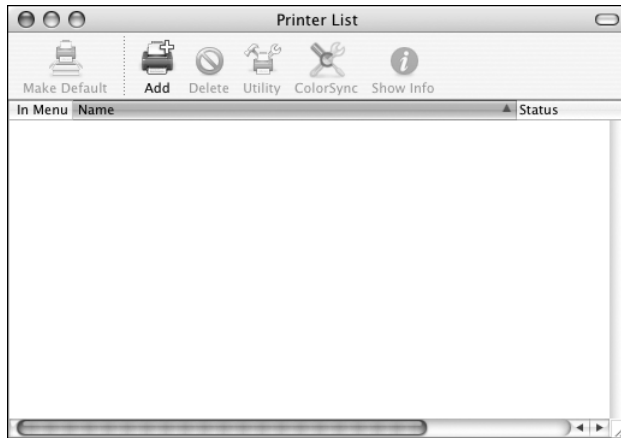
3. Double-click the Epson installer icon.



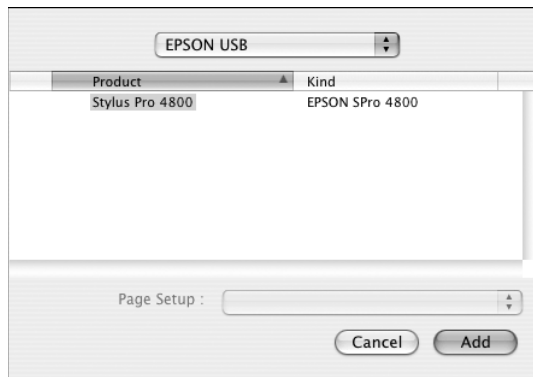
4. Double-click **Install Printer Driver and Utilities**. Enter your password and follow the on-screen instructions to install your software.
5. Double-click **Install Additional Color Profiles** to install the profiles for your printer.
6. Double-click **Install Reference Guide** and wait while the guide is installed. Click **Exit** when installation is complete.
7. Open the **Applications** folder, then open the **Utilities** folder and open the **Printer Setup Utility**.
8. If you see a message like this, click **Add**, then skip to step 9.



- Click the **Add** icon at the top of the Printer List window.



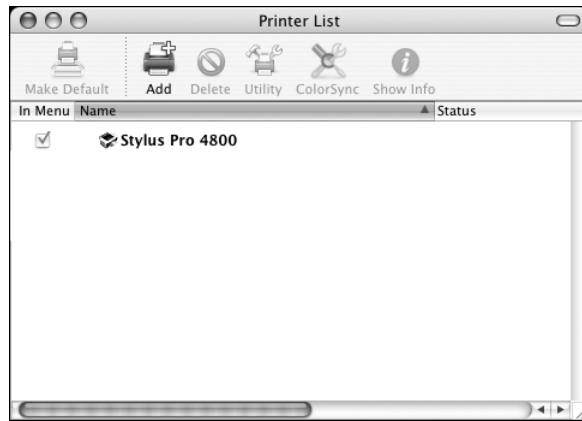
- Pull down the menu and select the connection you are using—either **EPSON USB**, **EPSON FireWire**, or **EPSON TCP/IP**. The **Stylus Pro 4800** appears on the screen.



- Click **Stylus Pro 4800**, then click **Add**.

Tip: If you want to rename the printer for easier identification, select the printer name in the list and click **Show Info**. Type a new name and click **Apply Changes**.

You see the Stylus Pro 4800 in the Printer list.

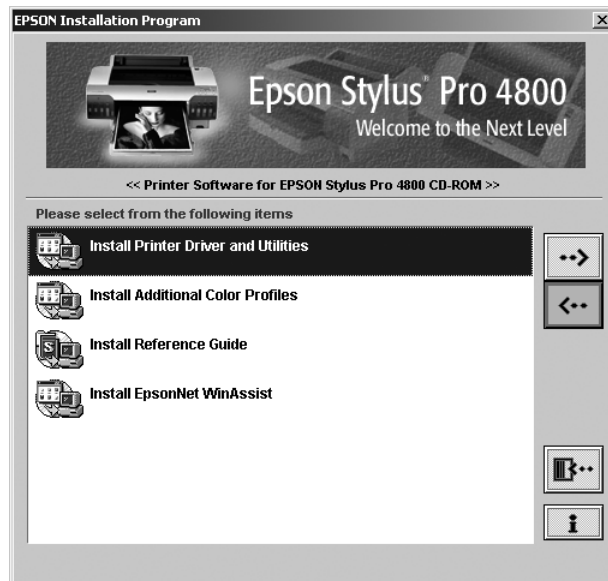


12. Leave this window open. Go to page 30 to update your printer firmware.

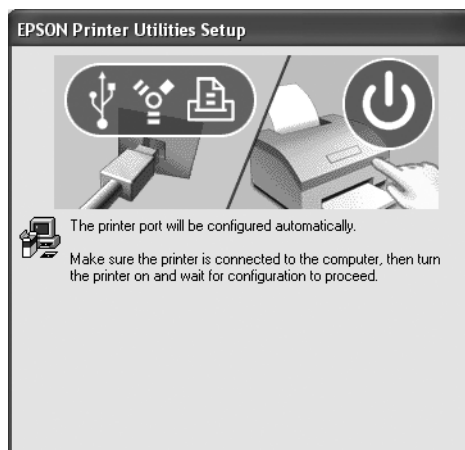
Windows

1. Make sure your printer is turned off.
2. Turn on your computer.

3. Insert the printer software CD-ROM in your computer. The installer starts automatically. If it doesn't start, double-click **My Computer** or click **Start > My Computer**. Then double-click your CD-ROM icon.



4. Double-click **Install Printer Driver and Utilities**.
5. When you see a window asking you to turn on your printer, press the **Power** button. (Make sure the printer is connected; see page 22.)



6. When you see a message that driver installation is complete, click **OK**.
7. Double-click **Install Additional Color Profiles** to install the profiles for your printer.
8. Double-click **Install Reference Guide** and wait while the guide is installed.
9. Close the installer, then remove the CD-ROM. Go to the section below to update the printer firmware.

Updating Your Printer Firmware

Before you begin using your printer, you should check for a newer version of firmware on the Epson support site and update your printer, if necessary.

Downloading the Firmware

1. Navigate to <http://www.support.epson.com> in your browser.
2. Choose your printer.
3. Click **Drivers and Downloads** to find the newest firmware.
4. Choose the version for Macintosh or Windows and follow the instructions on the screen, then continue in the appropriate section below to upgrade the firmware.

Macintosh

1. Double-click the firmware file to extract it.
2. Open the **Applications** folder, open the **Utilities** folder and then open the **Printer Setup Utility**.

3. Highlight Stylus Pro 4800 in the Printer List, then click the Utility button.

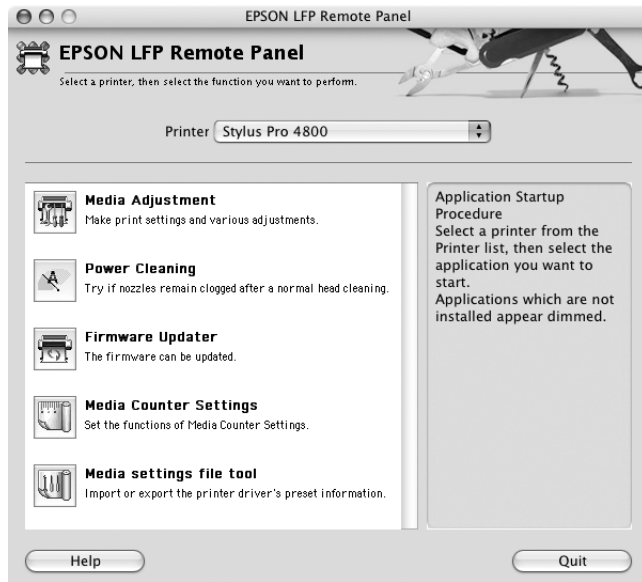


Note: If the button is grayed out, the LFP Remote Panel is not installed. See page 25 to install it.

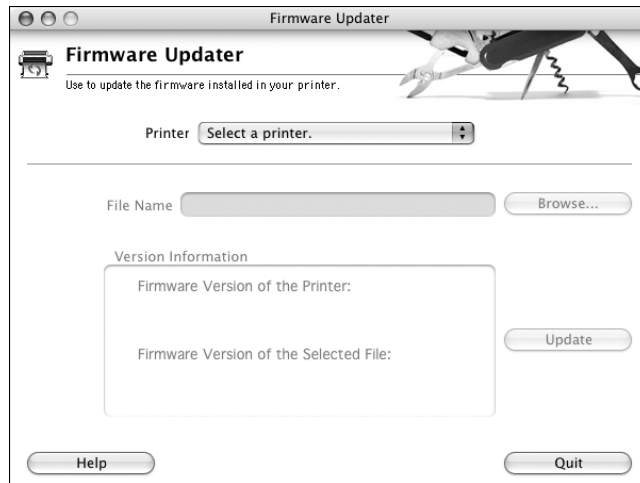
4. Click the EPSON LFP Remote Panel button.

Note: For more information on using the LFP Remote Panel, click **Help** to see the electronic guide.

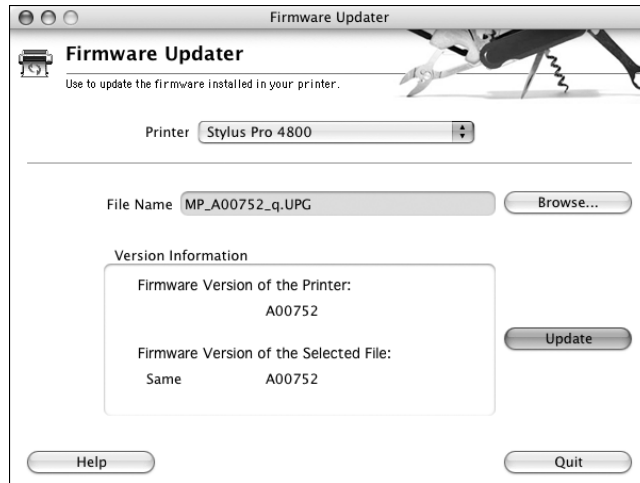
You see the LFP Remote Panel. Make sure **Stylus Pro 4800** is selected.



5. Click the **Firmware Updater** button. You see the **Firmware Updater** window.



6. Make sure your printer is on, its LCD is set to **Ready**, and it is connected to your computer, then choose **Stylus Pro 4800** in the Printer list.



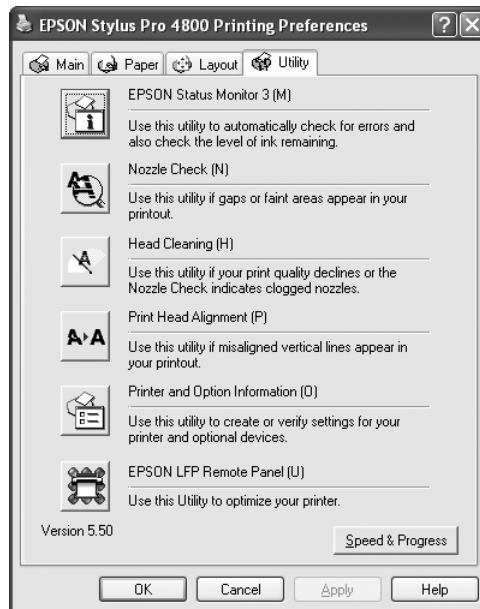
7. Click **Browse** and find the firmware that you just downloaded and extracted. Select the file and click **Choose**.
8. If the firmware version of the file is newer, click **Update** to start the firmware updating process. (If it is the same, you don't need to update.)
9. When the update is complete, close the Firmware Updater window, LFP Remote window, and the Printer Utility window.
10. After updating your printer, you need to initialize the printer settings from the printer's control panel. Press the **Menu** >⏏ button. You see **PRINTER SETUP**.
11. Press the **∨** button until you see **INIT SETTINGS**, then press **Menu** >⏏.
12. Press **Menu** >⏏ again. The settings are initialized and the printer returns to **Ready** status.

Caution: Don't turn off the printer while the firmware is updating.

Windows

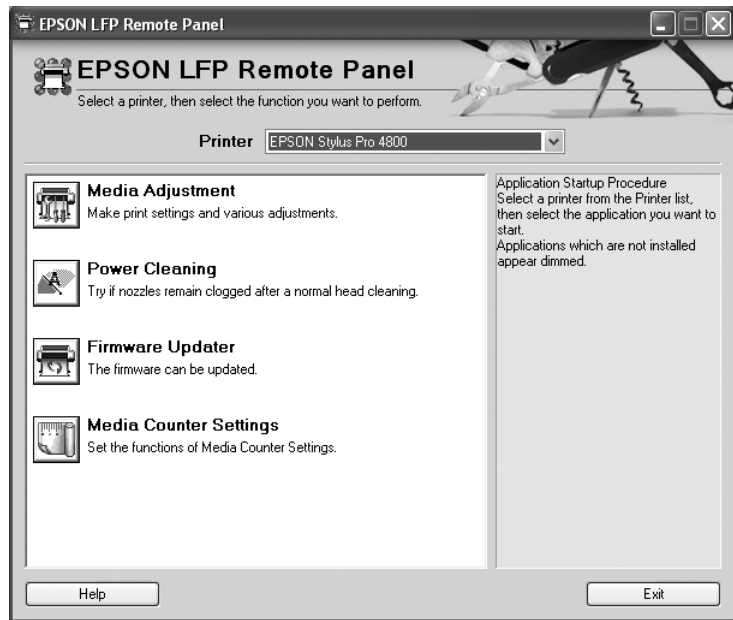
1. Double-click the firmware file to extract or unzip it.
2. Click Start > Settings > Printers and Faxes.
3. Right-click the EPSON Stylus Pro 4800 icon and click Printing Preferences.
4. Click the Utility tab, then click the EPSON LFP Remote Panel button.

Note: If the button is grayed out, the LFP Remote Panel is not installed. See page 25 to install it.

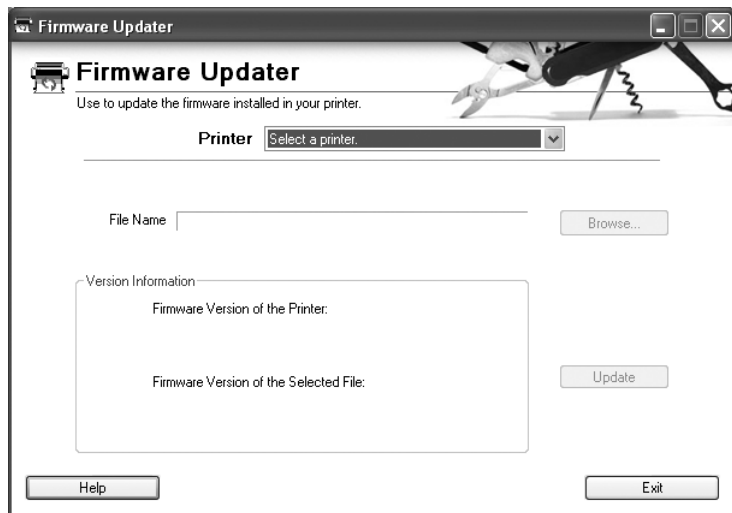


Note: For more information on using the LFP Remote Panel, click **Help** to see the electronic guide.

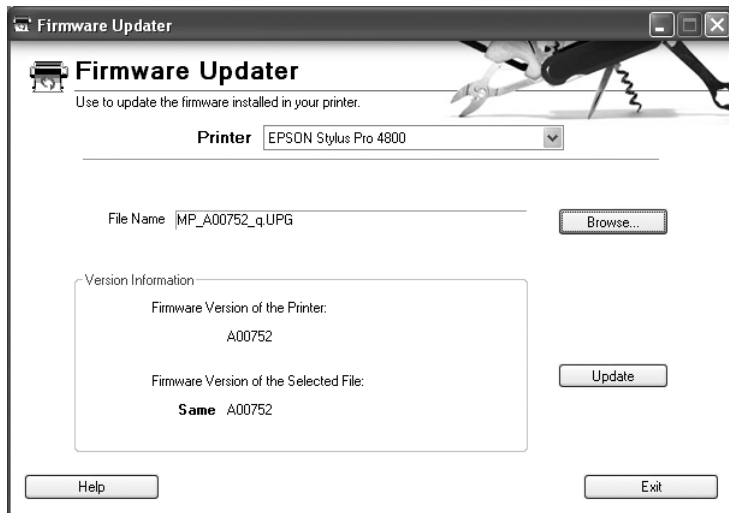
5. On the LFP Remote Panel screen, click the **Firmware Updater** button.



You see the **Firmware Updater** window.



6. Make sure your printer is on, its LCD is set to **Ready**, and it is connected to your computer, then choose **Stylus Pro 4800** in the Printer list.



7. Click **Browse** and find the firmware that you just downloaded and unzipped. Select the file and click **Choose**.
8. If the firmware version of the file is newer, click **Update** to start the firmware updating process. (If it is the same, you don't need to update.)
9. When the update is complete, close the Firmware Updater window, LFP Remote window, and the Printer Driver window.
10. After updating your printer, you need to initialize the printer settings from the printer's control panel. Press the **Menu** >/< button. You see **PRINTER SETUP**.
11. Press the **v** button until you see **INIT SETTINGS**, then press **Menu** >/<.
12. Press **Menu** >/< again. The printer settings are initialized and the printer returns to **Ready** status.

Caution: Don't turn off the printer while the firmware is updating.

Chapter 2: Handling Paper and Other Media

The Epson Stylus Pro 4800 prints on a variety of media, including roll paper and cut sheets up to 17 inches wide. You can also use heavy stock, such as posterboard up to 59 mil (1.5 mm) thick, via the straight-through paper path.

This chapter includes the following information:

- Selecting media for your printer
- Using cut sheet paper
- Using roll paper
- Loading paper manually
- Optimizing the settings for your paper

Selecting Media for Your Printer

Note: You can purchase additional roll paper spindles and other accessories or options from the Epson Pro Graphics web site (<http://prographics.epson.com>) or your authorized Epson dealer.

You can print on most types of coated, glossy, plain paper, and other media. An optional high-tension spindle is also available for printing on certain roll media such as Epson UltraSmooth™ Fine Art Paper and Textured Fine Art Paper. The spindle applies tension to keep the paper tightly wound. Check the Epson Pro Graphics web site (<http://prographics.epson.com>) or your authorized Epson dealer for available media.

The following table shows the paper sizes you can use:

Supported paper sizes

	Roll paper	Cut sheets
Size	8.3 to 17 in. wide (211 to 432 mm)	8 × 10 in. up to 17 × 22 in.
Maximum external roll diameter	2 in. core: 4 in. (103 mm) 3 in. core: 6 in. (150 mm)	—
Thickness	3.15 to 19.7 mil (0.8 to 0.5 mm)	3.15 to 59 mil (0.8 to 1.5 mm)

Always test samples of paper stock in the printer before purchasing large quantities or printing large jobs. When you use non-Epson paper or other media, you may need to adjust various settings and create special paper configurations. See page 60 for instructions.

Guidelines for Using Epson Media

Follow these guidelines, as well as those included in your paper package, when printing on Epson paper and other media:

- Avoid touching the printable surface with your bare hands. Fingerprints may affect print quality. Handle media by the edges or use cotton gloves.
- Always choose the correct Media Type setting in your printer driver software before you send your job. See page 68 (Mac OS X) or page 85 (Windows) for instructions.
- Always select the correct paper source (roll or sheet) in both the printer driver software and on the printer's control panel. See page 65 (Mac OS X) or page 87 (Windows) for instructions on selecting the paper source in your printer software.
- Keep unused media in its original packaging and store it in a cool, dry place to maintain quality. Avoid storing your printouts where they will be exposed to high temperature, humidity, or direct sunlight.

Using Cut Sheet Paper

You can print on many types of cut sheet paper and other media. The Epson Stylus Pro 4800 accepts sheets ranging from 8 × 10 inches to 17 × 22 inches.

Follow these additional guidelines for cut sheet paper:

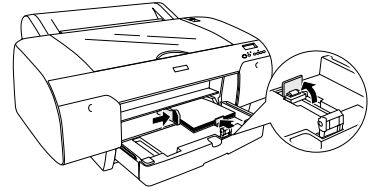
- You can leave your roll paper on the spindle when you print on cut sheets; make sure it is removed from the paper path and rolled up.
- Store sheet media on a flat surface in its original package.
- If you need to add paper to the tray, first remove all the paper and then add to the stack that you removed.
- Use the 250 Media Type setting for 17 × 22-inch sheets.
- If you're using fine art paper or other thick media, you need to load it manually, as described on page 46.

Cut Sheet Paper Paths

In addition to the paper tray, two paper paths are available for manual feeding of special media. Make sure you use the correct paper path for Epson media, as listed below:

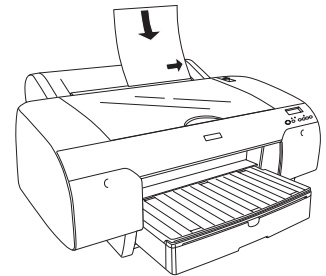
Paper tray

- Photo Quality Ink Jet Paper
- Premium Glossy Photo Paper
- Premium Semigloss Photo Paper
- Premium Luster Photo Paper
- Proofing Paper Commercial Semimatte
- Premium Semimatte Photo Paper
- Enhanced Matte Paper
- Watercolor Paper - Radiant White
- Plain Paper



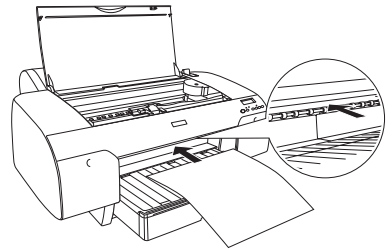
Top manual feed slot

- Photo Quality Ink Jet Paper
- Premium Semigloss Photo Paper
- Premium Luster Photo Paper
- Proofing Paper Commercial Semimatte
- Premium Semimatte Photo Paper
- Enhanced Matte Paper
- Watercolor Paper - Radiant White
- Velvet Fine Art Paper
- Plain Paper



Front manual feed slot

- UltraSmooth Fine Art Paper
- Textured Fine Art Paper
- Enhanced Poster Board
- Velvet Fine Art Paper




Loading Paper in the Paper Tray

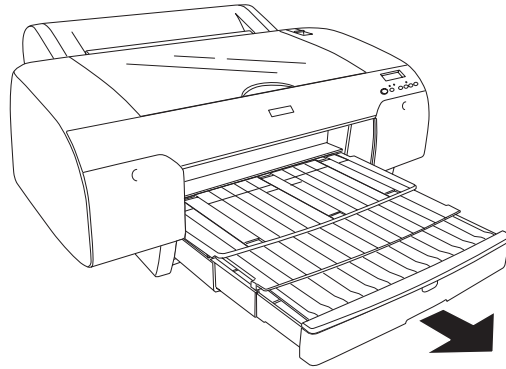
You can load up to 250 sheets of plain paper in the tray. The following table lists a guideline for paper tray capacity for various types and sizes of Epson paper:

Epson cut sheet paper capacity

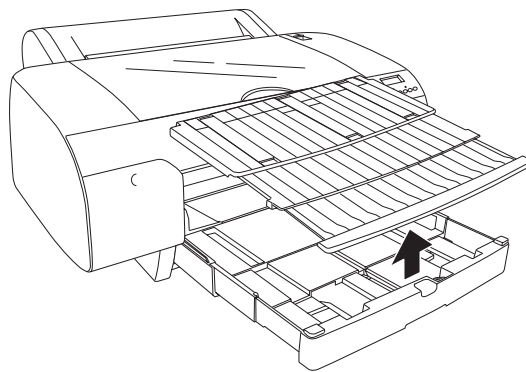
Paper type	Size (inches)	Loading capacity
Photo Quality Ink Jet Paper	8.5 × 11	200
	11 × 17	100
	13 × 19	
	17 × 22	50
Premium Semigloss Photo Paper	8.5 × 11	100
	13 × 19	50
Premium Luster Photo Paper	8.5 × 11	100
	11.7 × 16.5	50
	13 × 19	
Proofing Paper Commercial Semimatte	13 × 19	50
Enhanced Matte Paper	8.5 × 11	100
	11.7 × 16.5	50
	13 × 19	
Watercolor Paper - Radiant White	13 × 19	20

Follow these steps to load cut sheets in the paper tray:

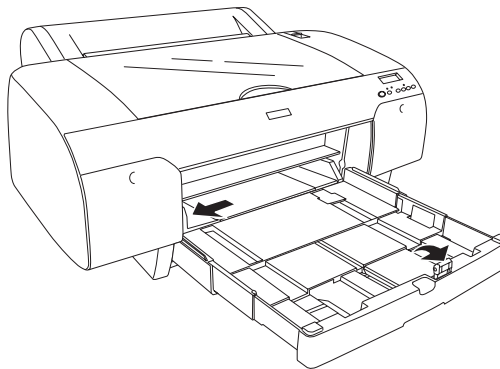
1. Make sure the printer is turned on, then press the < Paper Source button until the  sheet icon appears on the LCD display.
2. Extend the paper tray and paper tray cover.



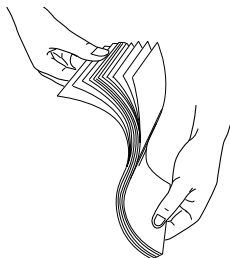
3. Lift up the paper tray cover.



4. Flip up the paper guide roller and slide the edge guide all the way to the left.



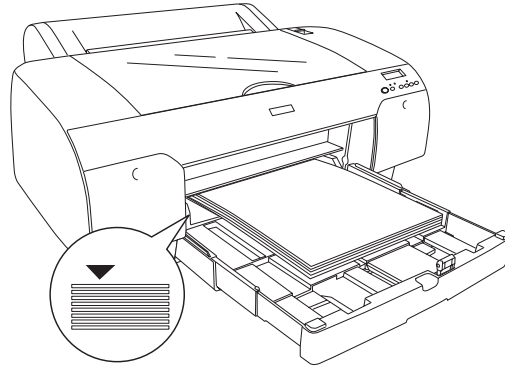
5. Clean the inside of the paper tray to remove any dust. Dust may affect printout quality.
6. Thumb through a stack of paper, then gently tap it on a flat surface to even the edges.



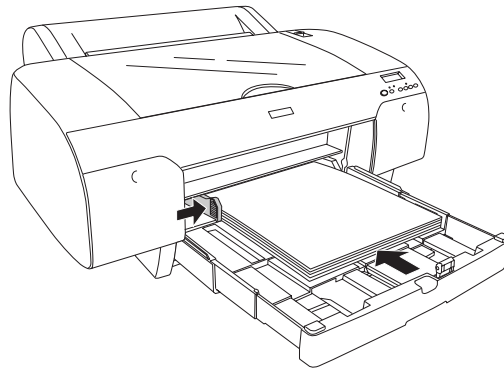
Note: When you need to add sheets, first remove all the paper and then add to the stack that you removed.

7. Load the sheets with the printable side down, in the portrait orientation (short edge first). Place the paper all the way back in the paper tray and next to the right edge.

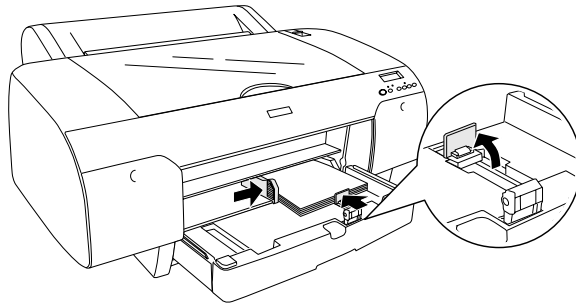
Make sure the stack of paper fits under the arrow on the left edge guide.



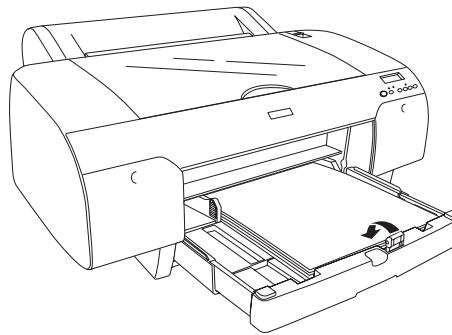
8. Adjust the edge guide and length of the paper tray.



If you're printing on letter-size paper, raise the paper guide and push it against the end of the paper stack.

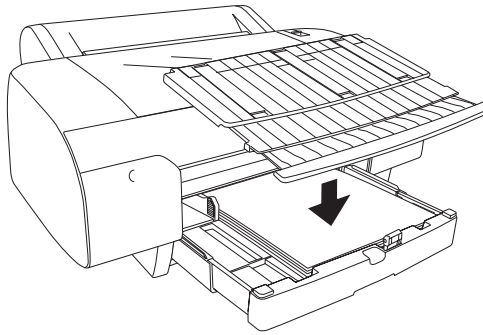


9. Flip the paper guide roller down onto the stack of paper.

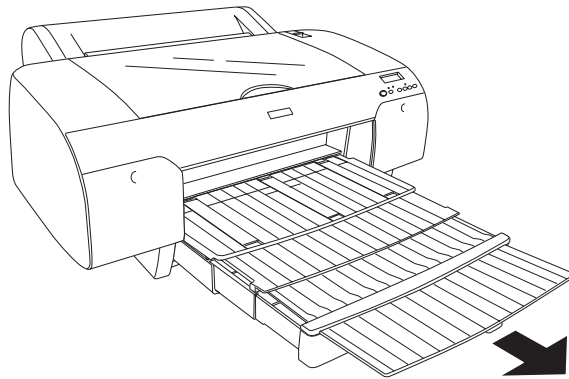


Note: Make sure the roll paper support on the paper tray cover is not raised.

10. Replace the paper tray cover and adjust its length.




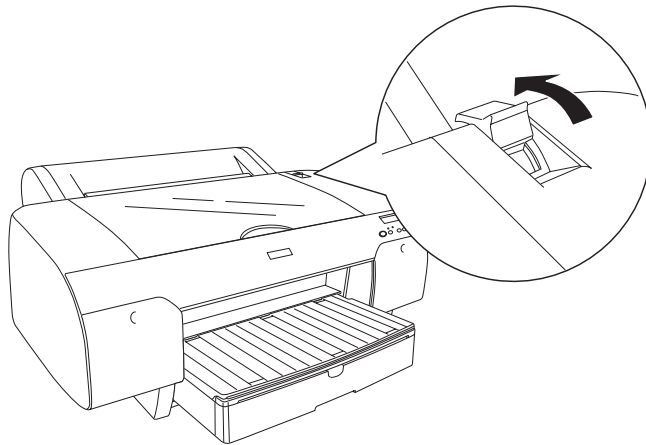
11. Extend the paper tray cover if necessary to support your printouts.



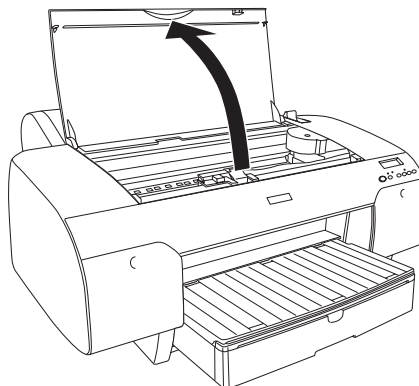
Using the Front Manual Feed Slot

If you want to print on fine art paper, posterboard, or other media 19 to 59 mil (0.5 to 1.5 mm) thick, you need to use the manual feed slot. This provides a straight-through paper path. Be sure to allow enough room behind the printer so the paper is not bent when it feeds into the printing position.

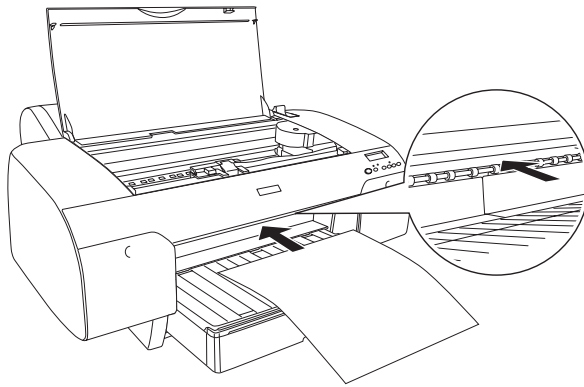
1. Make sure the printer is turned on, then press the < Paper Source button until the  sheet icon appears on the LCD display.
2. Release the paper lever.



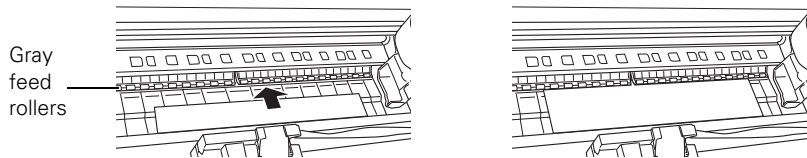
3. Open the top cover.



4. Insert the sheet face-up.

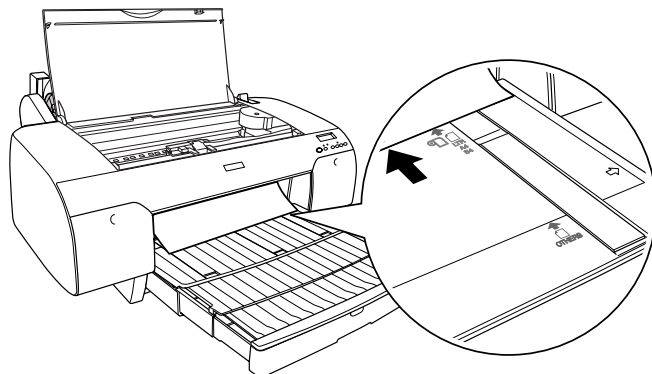


5. Push the sheet under the gray feed rollers.

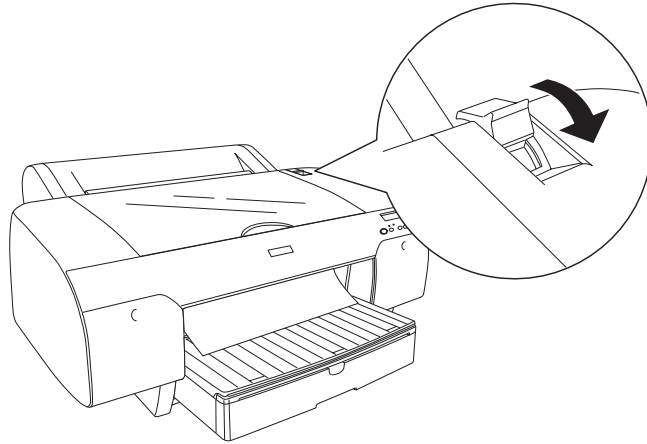


6. Align the edge of the paper with the mark on the paper tray cover, as shown below. For longer sheets, make sure you align the right edge of the sheet with the arrow mark on the right and the leading edge with the OTHERS mark.

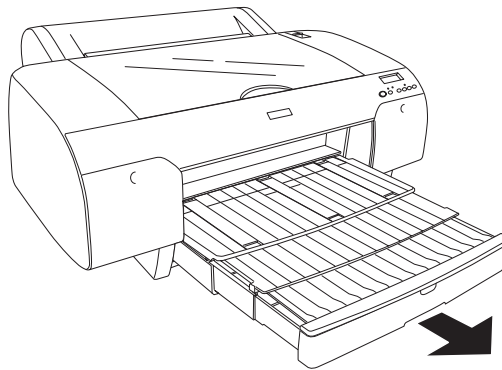
Then close the top cover.



7. Return the paper lever to the secured position. The printer automatically feeds the paper into printing position.




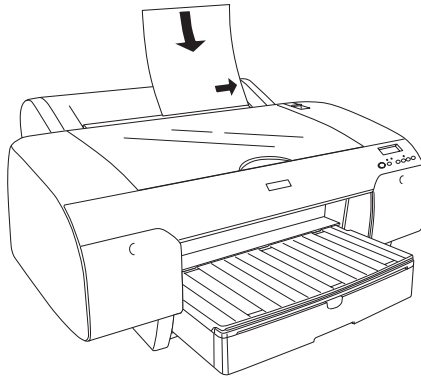
8. Extend the paper tray and cover if necessary to support the sheet as it comes out of the printer. Make sure the roll paper support is not raised.



Using the Top Manual Feed Slot

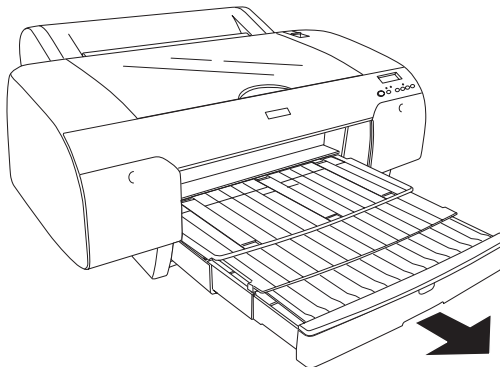
You may use the top manual feed slot for certain media types such as Velvet Fine Art Paper. You can also use this feed slot for other types of paper, as listed on page 39.

1. Make sure the printer is turned on, then press the < Paper Source button until the  sheet icon appears on the LCD display.
2. Align the sheet with the right edge of the slot and insert it until it meets resistance. Make sure the sheet is straight.



The printer automatically feeds the sheet into printing position.

3. Extend the paper tray and cover if necessary to support the sheet as it comes out of the printer. Make sure the roll paper support is not raised.

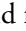






Using Roll Paper

You can use roll paper with a 2- or 3-inch core, up to 17 inches wide. Manually switching from one paper roll to another is a simple process. Check the Epson Pro Graphics web site (<http://prographics.epson.com>) or your authorized Epson dealer for available media.

Roll Paper Guidelines

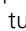
When printing on roll paper, be sure to follow the media handling guidelines on page 38, as well as these special guidelines for roll paper:

- When storing roll paper, keep it in its original packaging—including the bag, end caps, and box.
- To avoid feeding excess paper, make sure the  Sheet icon does not appear on the LCD display. Press the < Paper Source button until the  or  roll icon appears on the LCD display.
- Choose  if you want the paper to be cut automatically after each page is printed.
- Choose  if you're printing on canvas or other heavy media. Media that is too thick will damage the cutter. Use of a rotary paper cutter/trimmer is recommended.

Also choose this setting if you want to print a series of pages and keep them together for cutting later on. The following media (and other similar materials) do not work with the built-in cutter:

- Fine art paper (including Epson Textured and UltraSmooth Fine Art Paper)
- PremierArt™ Water Resistant Canvas for Epson
- Vinyl
- Matte board
- Backlight film
- Heavyweight polyester banner media
- DuPont™ Semigloss Proofing Paper
- Release the paper lever to view the suction setting. The suction helps hold the paper in place during loading and printing.

Caution: Some 2-inch core roll paper at widths smaller than 10" may cause the print head to strike the surface of the paper due to paper curling. This will damage the paper by leaving scratch marks on the surface of the paper and it can also cause paper jams if the paper is torn during the printing process. If you notice head strike marks or paper jams when printing on this type of paper, Epson recommends printing on 3-inch core paper or wider paper.

Tip: To avoid wasting paper on thick paper, chose , then turn off the Auto Cut setting in the driver.

- If you're loading heavy paper, you may need to increase the suction strength by pressing the paper feed \wedge button.
- For lightweight paper, decrease the suction by pressing the \vee button.

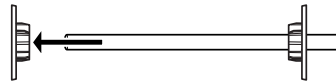
Note: The spindle accommodates both 2-inch and 3-inch roll paper cores. To switch between different size cores, see page 56.

Avoid touching the printable surface of the paper as much as possible. Oils from your skin can affect print quality.

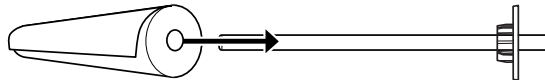
Loading the Paper onto the Spindle

Follow these steps to attach the roll to the spindle:

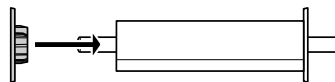
1. Slide the black paper stop (flange) off the left end of the spindle.



2. Position the roll so the paper unwinds as shown, then slide it onto the spindle:



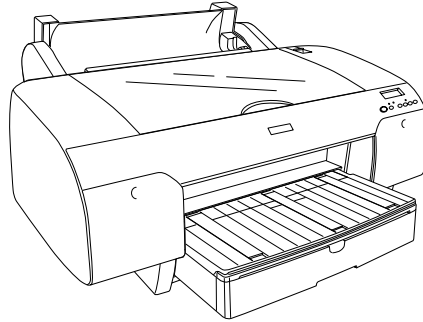
3. Slide the movable paper stop back onto the spindle and insert it into the end of the roll. Make sure it is firmly fixed into the left end of the paper roll.



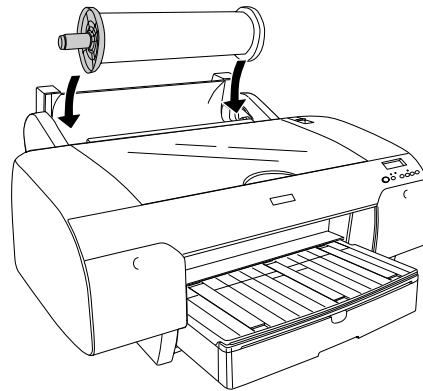
Placing the Paper in the Printer


Follow these steps to place the paper in the printer:


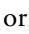
1. Open the roll paper cover.



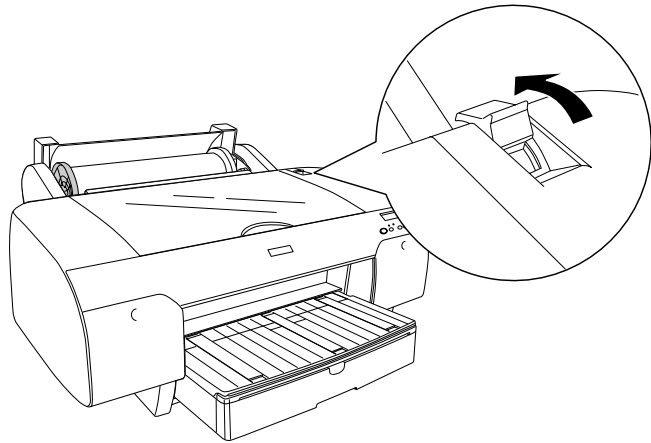
2. Place the roll paper in the printer as shown. (The gray end of the spindle goes on the right.)



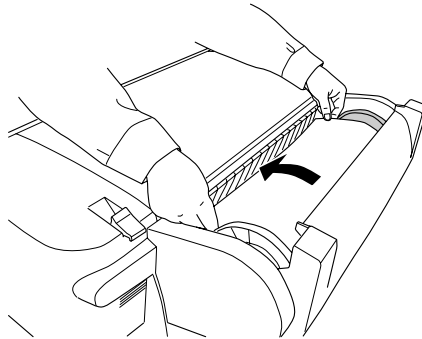
Note: To avoid feeding excess paper, make sure you don't select  when you're using roll paper.

3. Make sure the printer is turned on, then press the < Paper Source button until the  or  icon appears on the LCD display.

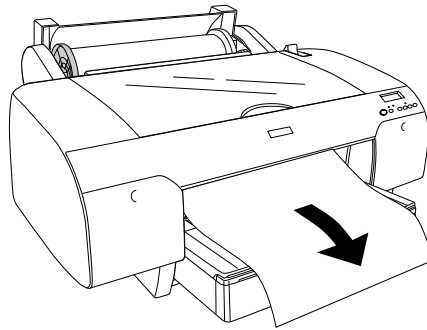
4. Release the paper lever.



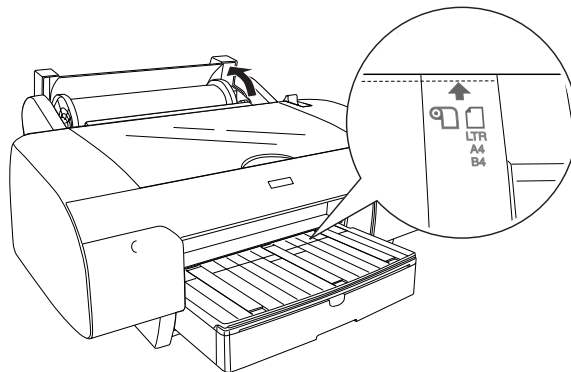
5. Hold both sides of the paper and feed it into the slot.



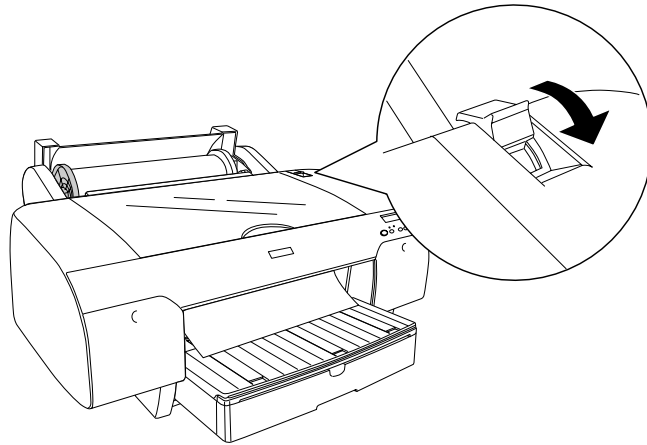
6. Feed the paper all the way through the printer to the end of the paper tray.



7. Using the ends of the spindle, roll the paper up until the edge is aligned with the roll paper mark next to the arrow.

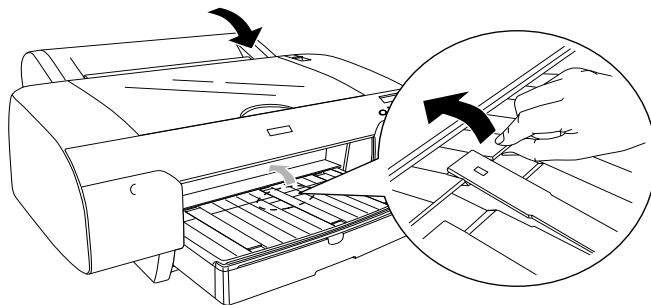


8. Move the paper lever to the secured position. The printer automatically positions the paper for printing.



9. Raise the roll paper support. Make sure the paper is on top of the guides.

Note: The maximum length of roll paper you can print on is limited by the printer driver, and may also be limited by your application software and/or operating system.



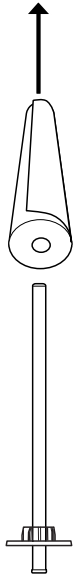
10. Close the roll paper cover.

To avoid indenting or creasing the paper, remove it from the paper path and roll it up when you are not printing.

Removing Paper from the Spindle

If you need to remove the paper roll from the spindle, follow these steps:

1. Open the roll paper cover.
2. If the paper is loaded for printing, push the paper lever back to the released position, then roll up the paper before removing it.
3. Remove the roll paper and spindle from the printer.
4. Set the spindle upright, with the gray end on the floor and the black end at the top.
5. Slide the black paper stop off the top of the spindle.
6. Remove the roll paper from the spindle.

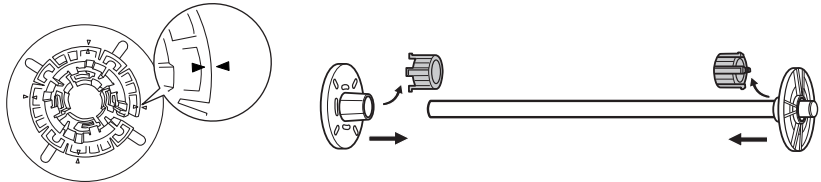


Switching Between 2-Inch and 3-Inch Roll Paper

Note: Roll paper with a 2-inch core may cause paper jams on this printer due to severe paper curl. If you notice frequent paper jams when using 2-inch core media, switch to media with a 3-inch core.

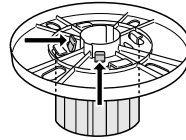
You can convert the spindle to accept roll paper with either a 2-inch or 3-inch core by using the spindle adapters. Follow these steps to attach the adapters for using 3-inch roll paper:

1. Remove the black paper stop from the end of the spindle.
2. Align the arrow marks as shown below and press one of the adapters onto the gray paper stop until it locks in place. Press the other adapter onto the black paper stop.



To remove the adapters, press on the four tabs.


Press tabs to release

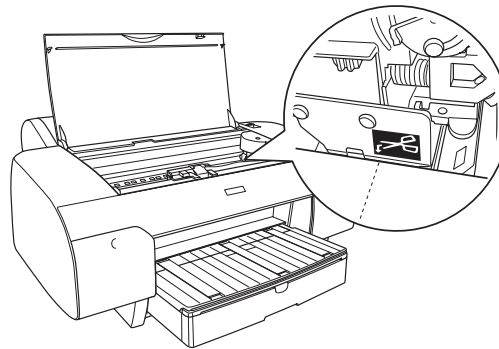



Cutting Paper Manually with the Built-in Cutter

When you're not using the auto cut setting, you need to cut the paper manually by pressing the button after your print job is finished. You can use the button for most types of paper. However, if you're printing on fine art paper, canvas, or other heavy media, you should use a rotary paper cutter/trimmer or scissors rather than the built-in cutter. See page 50 for a list of media that cannot be used with the built-in cutter.

Follow these steps to cut manually with the built-in cutter:

1. Before you print, press the < Paper Source button until you see the  icon.
2. Run your print job.
3. If the paper is not positioned correctly, press the ∇ or \blacktriangle button to match the cutting position on the paper with the cutting position on the left side of the print head.



4. Press the < button until you see the  auto cut icon on the LCD.
5. Press and hold the < button for 3 seconds. The paper is cut.

Printing Trim Lines

You can print trim lines on the right edge of your pages (if you're using auto cut) or on the right and bottom edge (if you're not using auto cut). Follow these steps:

1. Press the **Menu** ⌘ button. **Printer Setup** appears on the display.
2. Press the **Menu** ⌘ button again to select the **Printer Setup** menu and display **PLATEN GAP**.
3. Press the **▼** button to display **PAGE LINE**.
4. Press the **Menu** ⌘ button. **OFF** is displayed as the current setting.
5. Press the **▼** button so that **ON** appears.
6. Press the **Menu** ⌘ button to save the setting. An asterisk appears next to **ON**.
7. Press the **■** **Pause** button to exit the menu.

You can also specify trim lines from your printer driver software. For instructions, see page 74 (Mac OS X) or page 90 (Windows).

Adjusting the Platen Gap for Thick or Thin Paper

When you print on unusually thick or thin paper, you may need to adjust the platen gap setting. Normally, the **STANDARD** setting allows the printer to adjust automatically. However, if print quality is not satisfactory when using very thin or very thick stock, you may need to change this setting. Follow these steps:

1. Press the **Menu** ⌘ button. **Printer Setup** appears on the display.
2. Press the **Menu** ⌘ button again to select the **Printer Setup** menu and display **PLATEN GAP**.
3. Press the **Menu** ⌘ button. **STANDARD** is displayed as the current setting.

Caution: To avoid damaging the printer, make sure you do not select the **Narrow** setting when you print on heavy media.

4. Use the **▼** and **▲** buttons to change the setting. (STANDARD is the default setting; you can also choose **NARROW**, **WIDE**, **WIDER**, or **WIDEST**.)
5. Press the **Menu** **↔** button to save the setting. An asterisk appears next to the selected setting.
6. Press the **■** **Pause** button to exit the menu.

If you've selected a non-standard platen gap, the letter **N** or **W** appears in the corner of the display to remind you of the narrow or wide setting. When you switch media, don't forget to change the setting back to **STANDARD**.

If you're printing on non-Epson media, you may also need to create a paper configuration to optimize your results. See the following section for more information.

Optimizing the Settings for Your Paper

When you choose a media type in your Epson printer software, the driver automatically determines the best settings for your paper. However, you may want to fine-tune how the printer handles various media—especially if you use non-Epson paper or a paper not supported by the driver. Use the paper configuration settings described below. If you're printing on unusually thick or thin paper, you may also need to adjust the platen gap; if so, you should do that first (see page 58).

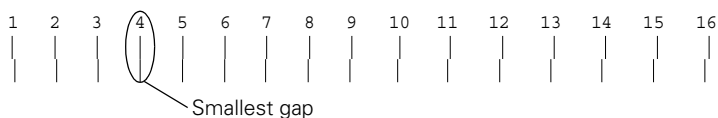
You can create a special configuration, or group of settings, for each paper type (up to ten types) and select the desired configuration whenever you print on a particular stock.

Note: It's a good idea to keep a list describing your paper configurations.

Creating Paper Configurations

To create a configuration for a specific paper type, make sure the paper you want to configure is loaded in the printer. Then follow these steps:

1. Press the **Menu** > button, then press the **▼** button until **CUSTOM PAPER** appears on the display.
2. Press the **Menu** > button to display **PAPER NUMBER**.
3. Press the **Menu** > button, then press the **▼** button to select a paper configuration number (1 to 10). Press the **Menu** > button again to save the number setting.
4. Press the **<** button, then the **▼** button to display **PLATEN GAP**. Press the **Menu** > button, then press the **▼** button to select **NARROW**, **STANDARD**, **WIDE**, or **WIDER**. The **STANDARD** setting is recommended for most paper types.
5. Press the **<** button, then the **▼** button to display **THICKNESS PAT.**
6. Press the **Menu** > button twice to print the paper thickness pattern. The printer prints a pattern similar to the following:



7. Examine the printed pattern for the most evenly overlapping lines. Choose the number with the most even lines. In the example shown above, the lines under number 4 are the most even.
8. After printing the pattern, **THICKNESS NUM** is displayed. Press the **▼** button to select the number that you noted in step 7.
9. Press the **Menu** > button to save the selected value. Press the **<** button, then the **▼** button for the menu options shown below. Make any adjustments, as needed, and press the **Menu** > button to save each setting.

You can also make similar settings using the printer driver software. For instructions, see page 71 (Mac OS X) or page 94 (Windows).

- **CUT METHOD** lets you decrease the cutting blade pressure for thinner media, or adjust the speed for thick media. You may need to experiment to determine the cleanest cut for your paper.
- **PPR FEED ADJUSTMENT** helps eliminate banding. Choose a lower value if you see white lines on your prints, or a higher value if you see dark lines.
- **EJECT ROLLER TYPE** lets you define the eject roller for printing with non-Epson media. You may need to experiment to determine the best setting for your paper.
- **DRYING TIME** lets you print with non-Epson media and avoid smearing the ink. You can make the print head wait up to 10 seconds after each pass to allow ink to dry on the page.
- **SUCTION** lets you decrease the paper suction level when printing on thin media (under 12 lb), such as drafting paper or backlight film.
- **M/W ADJ** adjusts the intensity of the MicroWeave® pattern. This improves print quality, but lowers printing speed.

10. When done, press the ■ Pause button.

Selecting Paper Configurations

Once you have created a paper configuration, you can select it whenever you print on that paper:

1. Press the **Menu** > button, then press the **▼** button to display **CUSTOM PAPER**. Press the **Menu** > button again.
2. Press the **▼** button to display **PAPER NUMBER**, then press the **Menu** > button.
3. Press the **▼** button to select the configuration number that you want to use. If you select **STANDARD**, the printer uses the driver settings. If you select a number from 1 to 10, the control panel settings override the driver settings.
4. Press the **Menu** > button. The configuration number you selected is displayed on the LCD.
5. Press the ■ Pause button to exit the menu.

Chapter 3: Printing with Epson Drivers for Macintosh

Your Epson Stylus Pro 4800 comes with drivers and utilities that let you print and manage print jobs. ICC profiles for ColorSync® are included, so you can use color management features in Adobe® Photoshop® or other applications, or in the driver itself. A color-managed workflow using Photoshop will give you the most accurate colors and best photographic output from your Epson Stylus Pro 4800 for color photos. For the best black and white photography output, the Stylus Pro 4800 driver offers Advanced Black and White mode.

You can create your own profiles if you have the required hardware and software, or you can have them created by a color specialist. Make sure any profiles you want to use are located in the standard folder for your operating system. When you install the Epson printer driver, the ready-made profiles are automatically copied to the right folder.

Tip: Check the Epson Pro Graphics website at <http://prographics.epson.com> for updated drivers and utilities that may become available.

This chapter includes the following information for Mac OS® X:

- Choosing page setup settings for cut sheets and roll paper
- Choosing basic print settings
- Choosing advanced print options, including color management and paper configuration settings
- Choosing roll paper options
- Creating a custom preset and printing
- Monitoring print jobs
- Checking printer status

Choosing Page Setup Options

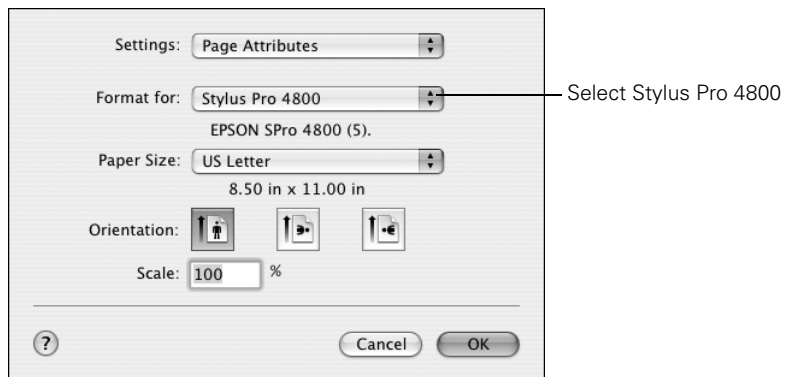
Before you print, make sure you have installed the Epson printer driver and utilities from the CD-ROM. You also need to configure your connection and set up the printer in the Printer Setup Utility. For instructions on installing and configuring the printer driver, see page 25.

Note: Many application settings override the printer's page setup options. Always verify settings to get the results you expect.

If you need more information about print options, click the **Help** button.

Page Setup options let you choose from several options for printing on cut sheets or roll paper. You can also select the orientation of your image and the paper size. For printing on roll media, creating a custom page size is recommended to make the best use of your paper.

1. Open the file you want to print and select **Page Setup** in your application. You see this screen:



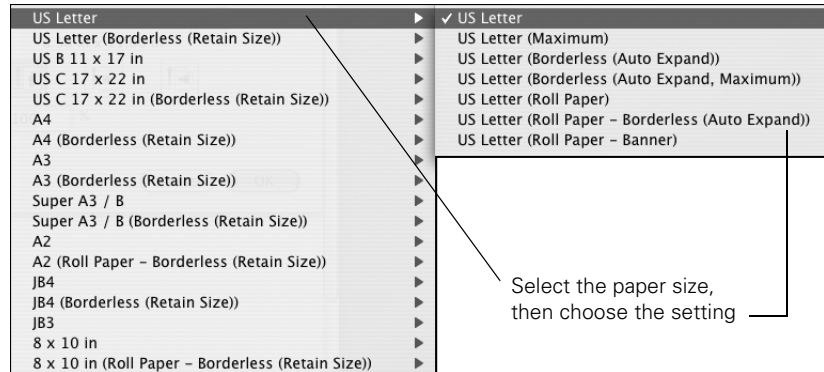
2. Open the **Format for** pop-up menu and select **Stylus Pro 4800**.

Note the following limitations on borderless printing:

- Borderless printing takes longer than normal printing.
- Margins are required at the top and bottom of the page on cut sheets. Full borderless printing is available on roll paper only.

Note: If your application has margin settings, make sure they're turned off for borderless printing.

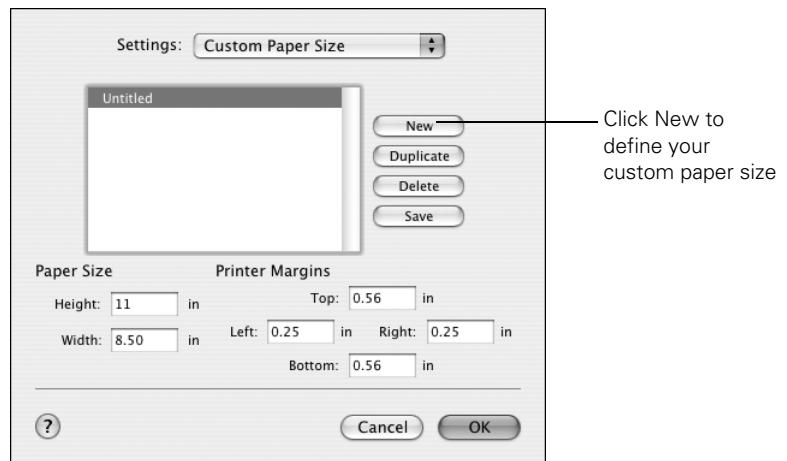
3. Click the Paper Size pop-up menu and choose a size and one of the options:



- The standard size setting prints on cut sheet paper with a bottom margin larger than the top and sides.
- **Borderless (Auto Expand)** prints on cut sheets and enlarges your image (up to 3%) to fit the width of the paper (without side borders).
- **Borderless (Retain Size)** prints your image at the size you specify in your application. You need to size it slightly wider than the paper width to print without side borders.
- **Maximum** reduces the bottom margin (available for printing on plain paper sheets only).
- **Roll Paper - Banner** prints a series of continuous images without any margin space between them, but with normal side borders.
- **Roll Paper - Borderless (Auto Expand)** prints without borders on roll paper and enlarges your image (up to 3%) to fit the size of the paper. This selection is recommended for borderless printing with minimal clipping of your image.
- **Roll Paper - Borderless (Retain Size)** prints your image on roll paper at the size you specify in your application. You need to size it slightly wider than the paper width to print without borders.
- **Roll Paper - Borderless Banner** prints a series of continuous borderless images without space between them.
- **Roll Paper** prints on roll paper with the standard printable area.

4. Click the **Paper Size** pop-up menu.
 - If you're printing on cut-sheets, select the size of the paper loaded in the printer. Then continue with step 7.
 - If you're using roll paper, Epson recommends that you create a custom paper size to make the best use of your paper. Click the **Settings** pop-up menu (at the top of the screen) and select **Custom Paper Size**.

You see this screen:



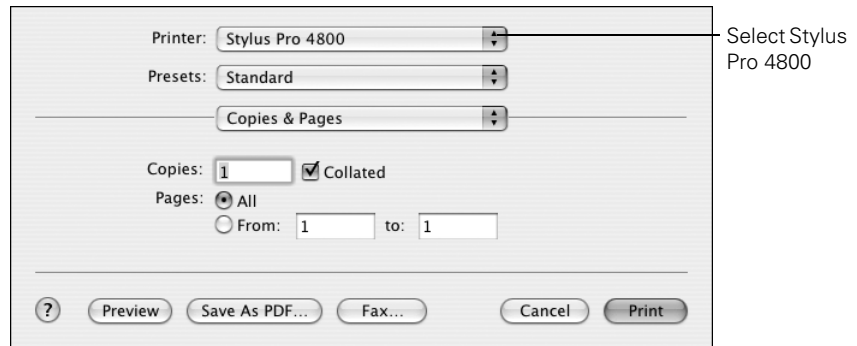
Tip: To ensure that the image is centered on the page, make the top and bottom margins the same.

5. Click **New**, double-click **Untitled**, give your paper size a name, and define its size and margins. Then click **Save**. (Do not click **OK** yet.)
6. Select **Page Attributes** from the **Settings** pop-up menu. Make sure your new custom page size is showing.
7. Choose the appropriate **Orientation** and **Scale** for printing.
8. Click **OK**. Then continue with the instructions in the next section to select additional settings for printing.

Choosing Basic Print Options

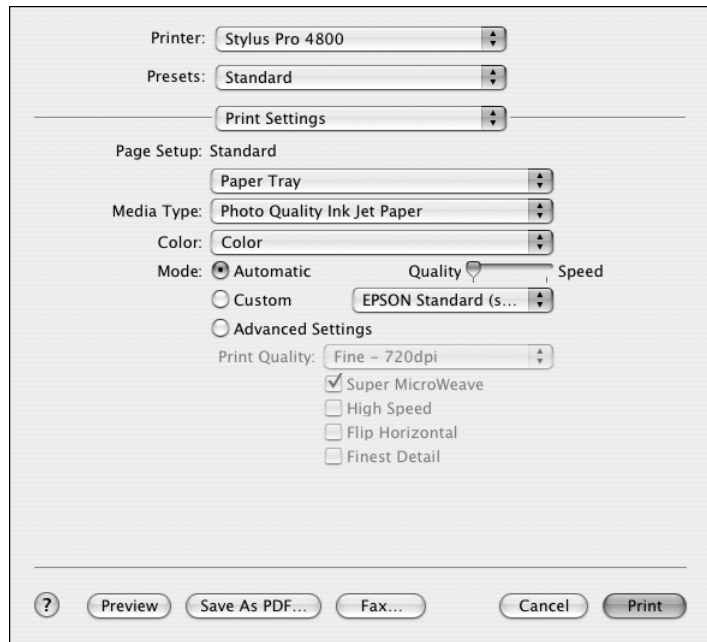
Once you have selected your page setup options, you need to select printing options. The Epson driver offers automatic settings that optimize print quality and speed when you're using Epson media. You can also choose advanced settings for more control over your printer and color management options, as described on page 71.

1. Select **Print** in your application. You see the screen shown below:



2. Choose **Stylus Pro 4800** from the Printer menu.
3. Select **Print Settings** from the pop-up menu.

You see this screen:



4. Select the **Media Type** that corresponds to the paper you are printing on. If you are using a color-managed workflow, make sure you choose media type and resolution settings that match the ICC profile you are using.

Note: Check the web site (<http://prographics.epson.com>) or your authorized Epson dealer for other media that may be available.

The settings followed by (250) are for roll paper or selected 17-inch wide sheets. Choose a setting without the (250) designation when you print on smaller sheets. For PremierArt Water Resistant Canvas for Epson, choose the **Watercolor Paper - Radiant White** setting.

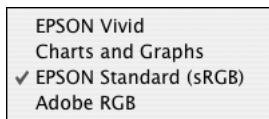
If your paper is not listed, check the instructions included with the paper, or look on the Epson web site (<http://prographics.epson.com>). If you are using non-Epson paper, choose the closest setting. You may have to experiment with different settings to determine which one is best for the media you're using.

5. For the Color setting, select **Color** for any type of photographic printing. Choose **Advanced B&W Photo** if you are printing black and white photos using this unique printer technology on select paper types. (For paper types that don't support this option, print black and white photos with the **Color** setting.) Select **Black** only if you're printing line drawings or other non-photographic images.

6. Set the **Mode** option as follows:

- Click **Automatic** to have the printer driver analyze the contents of your image or file and make the appropriate printing adjustments. If a **Quality/Speed** slider appears in the Mode box, set it according to the priorities of your print job.

You can choose one of the mode settings shown at the left:



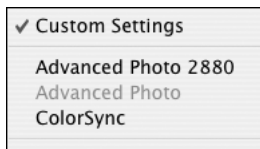
The **EPSON Vivid** setting produces vivid blue and green tones in printouts. Because this setting reproduces blue and green tones that cannot be displayed by your monitor, your printouts may differ from the screen images when this option is selected.

The **Charts and Graphs** setting intensifies colors and lightens the midtones and highlights of an image. Use this setting for presentation graphics, such as charts and graphs.

The **EPSON Standard (sRGB)** setting increases the contrast in images. Use this setting for color photographs.

The **Adobe RGB** setting matches image colors to the Adobe RGB color standard.

- Click **Custom** to choose one of the settings shown at the left.



The two **Advanced Photo** settings let you print at either 1440 dpi (**Advanced Photo**) or 2880 dpi, the highest resolutions available.

The **ColorSync** setting applies color management based on the printer's ICC profile, using the perceptual rendering intent. In most cases, you will get better results by applying color management in your application, rather than in the printer driver.

- Click **Advanced Settings** to access additional options, as described below.

Note: The Print Quality settings available depend on the Media Type you selected. Choose lower print quality for faster printing, or SuperPhoto - 2880dpi for best quality.

7. Choose one of the following **Print Quality** settings:
 - **Draft**
 - **Normal - 360dpi**
 - **Fine - 720dpi**
 - **SuperFine - 1440dpi**
 - **SuperPhoto - 2880dpi**

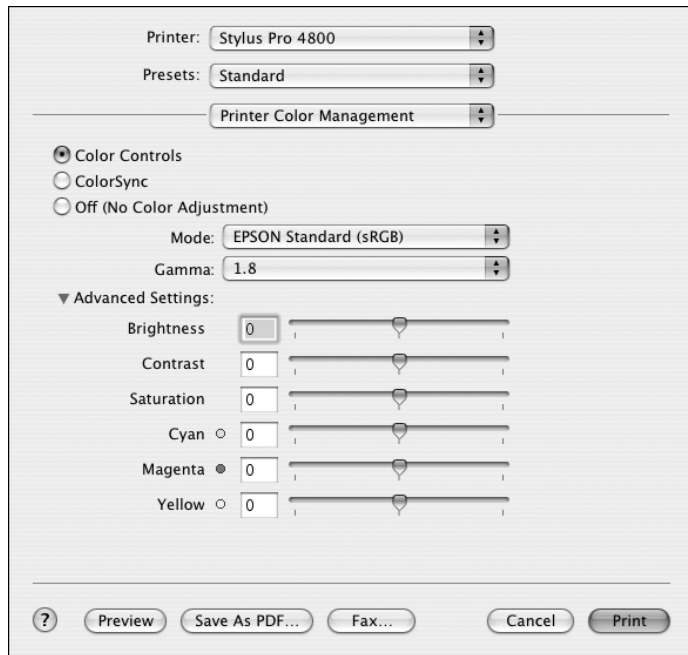
8. Choose any of the following:
 - **High Speed** for fast, bidirectional printing. For higher quality, make sure you deselect this option.
 - **Finest Detail** for sharper edges on vector-based data including text, graphics, and line art.
 - **Flip Horizontal** for printing a mirror image of your file. Use with backlight film.

Continue with the instructions in the next section to select color management settings. If you are using the color management settings in Photoshop or another application, it is very important to turn off color management in the printer driver, as described on page 72.

Choosing Color Management and Paper Configuration Options

Follow these instructions to use color management in the printer driver. If necessary, you can control the ink density by using the paper configuration settings, as described on page 72.

1. Select **Printer Color Management** from the pop-up menu. You see this screen:

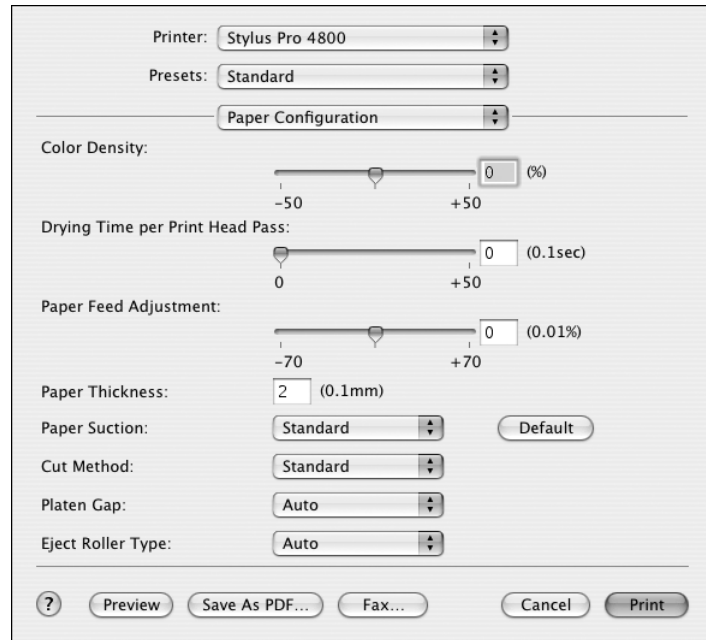


2. Select one of the following settings:
 - **Color Controls** to choose from four Color Adjustment modes and from three Gamma settings. Click the arrow next to Advanced to specify individual values for brightness, contrast, saturation, and CMY inks.
 - **ColorSync** for mapping colors to your printer's profile. In most cases, you will get better results by applying color management in your application, rather than in the printer driver. If you choose this setting, you can choose ColorSync from the pop-up menu and choose filters or other settings.

- (Off) No Color Adjustment to disable color management in the printer driver. Choose this mode when you use a color-managed workflow in Photoshop or other software applications.

Note: You may need to change the Color Density setting if your custom color profile was created to optimize D-max and color gamut.

3. If you are using non-Epson media and you need to fine-tune its performance, select **Paper Configuration** from the pop-up menu. You see this screen:



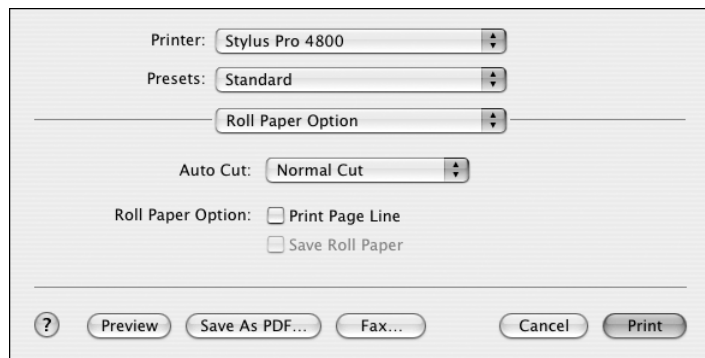
4. Select the correct settings to match your ICC profile. These settings override any paper configuration settings you may have made using the printer's control panel.
 - **Color Density** lets you control the ink saturation level (for example, when you turn off color management in your printer software).
 - **Drying Time per Print Head Pass** lets you print with non-Epson media and avoid smearing the ink. You can make the print head wait up to 5 seconds after each pass to allow ink to dry on the page.
 - **Paper Feed Adjustment** helps reduce banding. Choose a lower value if you see white lines on your prints, or a higher value if you see dark lines.

- **Paper Thickness** helps reduce vertical banding and creates a sharper image when printing on unusually thick or thin paper.
- **Paper Suction** lets you decrease the paper suction level when printing on thinner papers (less than 12 lb), such as CAD drafting paper or backlight film.
- **Cut Method** decreases the cutting blade pressure for thinner media, or adjusts the speed for thick media. You may need to experiment to determine the best setting for your paper.
- **Platen Gap** lets you fine-tune the setting for various paper thicknesses.
- **Eject Roller Type** lets you define the eject roller for printing on non-Epson media. You may need to experiment to determine the best setting for your paper.

Choosing Roll Paper Options

If you are printing on roll paper, make sure you choose one of the roll paper options under the size setting, as described on page 64. In addition, you need to check these settings for various cutting options.

1. Select **Roll Paper Option** from the pop-up menu shown below. You see this screen:



2. Choose one of the following **Auto Cut** settings:

- **Normal Cut** allows margin space at the top and bottom of each image.
- **Double Cut** extends the space between the images and trims each print individually. This provides the cleanest edge for borderless printing.
- **Single Cut** causes the images to be printed end-to-end and saves paper. With borderless printing, you may see a sliver of the previous or next image.
- **Off** disables automatic cutting. Choose this setting if you want to operate the cutter manually, print multiple print jobs without cutting, or if you are printing on heavy media that must be cut by hand.

See page 57 for instructions on using the button to operate the cutter. See page 50 for a list of media that do not work with the built-in cutter.

3. Select either of the following options:

- **Print Page Line** prints trim lines on the right and bottom edges of your pages.
- **Save Roll Paper** saves paper by not feeding the blank portion of the last page of your document. Available only when you've selected **Roll Paper (Banner)** as the Paper Source.

Note: These settings override settings made through the control panel.

Borderless Printing

For true borderless printing on roll paper, you can select either **Auto Expand** or **Retain Size** and create a custom paper size, as described above. Your image may be clipped on the left and right edges, but you can minimize clipping by sizing your image according to the page width and by adjusting the length.

For either setting, you should add 0.1 inch to the length of your custom size.

The Auto Expand setting provides the best solution for borderless printing with minimal image clipping. Using this setting, you can create a custom paper width equal to the width of the roll media. If you use the Retain Size setting, you should create a custom paper width slightly wider than the actual width of the media.

The following table shows recommended image widths (in inches) for borderless printing using either the Auto Expand or Retain Size setting:

Recommended image widths (in inches) for borderless printing

Roll paper width	Image width (with Auto Expand)	Image width (with Retain Size)	Custom Paper Size (for Retain Size only)
8.3	8.06	8.35	8.3
10	9.7075	10.34	10.23
12*	11.8	12.34	12.23
14*	13.8	14.34	14.23
16	15.8	16.34	16.23
17	16.8	17.34	17.23

* Non-Epson roll media widths

Make sure you set the margins to zero when printing a custom page size for borderless printing.

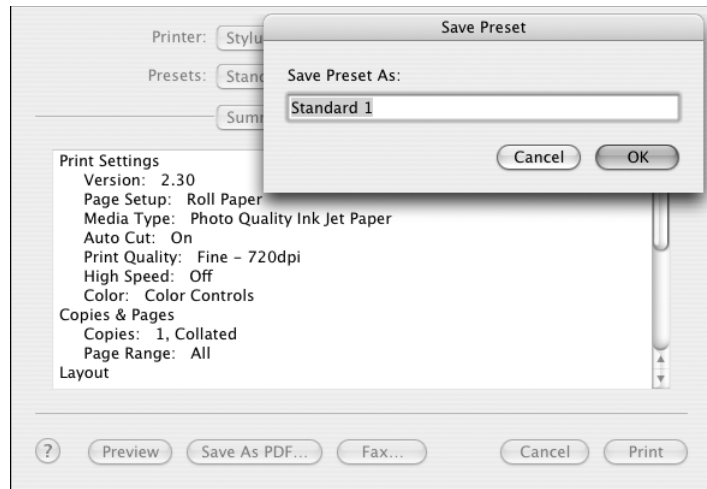
Note: If you check the settings on each screen in the pull-down menu, go through them carefully from top to bottom. Avoid cycling through them repeatedly, or you may lose your settings.

Creating a Custom Preset and Printing

Once you've made the correct settings for your print job, create a custom preset. This will save you time when you use the same profile/printer/ink/media combination for future print jobs.

1. Select **Summary** from the pop-up menu.
2. After verifying that your settings are correct, select **Save As** from the Presets pop-up menu.

You see the following:



Caution: Do not open and close the Presets pop-up menu without typing a name, or you will lose your settings.

3. Type a name, and click **OK**.
4. When you're ready to print, click the **Print** button.

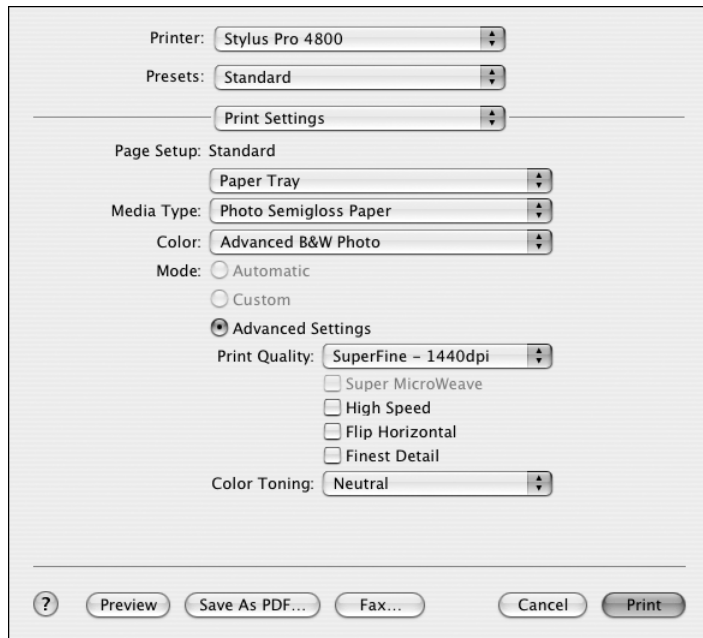
See page 79 for instructions on monitoring your print job.

Choosing Advanced Black and White Photo Settings

The Advanced Black and White Photo mode allows you to easily produce neutral and toned black-and-white prints using your Epson driver and offers an alternative black and white workflow. Advanced Black and White Photo mode also provides settings for more advanced black and white control. Whether your photo is color or grayscale, you can use this unique screening and color management technology to create stunning black-and-white prints. This mode is only available when printing on select media types.

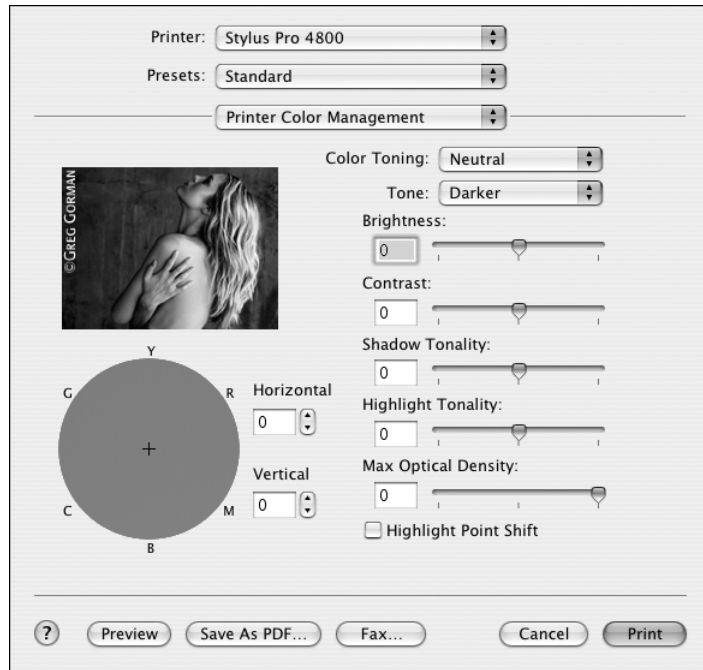
Note: If you are printing from Photoshop, make sure you turn off color management when using Advanced Black and White mode. There are no profiles associated with this screening and color management technology.

1. Select Print Settings from the pop-up menu. You see this screen:



2. Choose the Media Type setting for the paper you have loaded in the printer.
3. Choose **Advanced B&W Photo** for the Color setting. Uncheck **High Speed** for the best quality.

- Select **Printer Color Management** from the pop-up menu. You see this screen:



- Choose the settings that are best for your photo. You can use the photo on the screen as a guide.
 - Color Toning:** Allows you to add tone (hue) to your black and white output. The default is Neutral, which will provide you with a neutral tonal scale print. You can also choose other popular presets such as Cool, Warm, and Sepia. Note that the presets will affect the target found in the Tone Color Circle.
 - Tone:** Allows you to easily change the entire tonal scale of your black and white output. While **Darker** is the default setting, you may see better results if you choose **Dark**.
 - Brightness:** Adjusts the overall lightness and darkness of your image.
 - Contrast:** Adjusts the difference between the light and dark areas of your image.

- **Shadow and Highlight Tonality:** Allows you to control tonality only in the shadow or highlight areas of your image.
- **Max Optical Density:** Adjusts the overall density or focus of the print. Create a soft focus print by setting the density to lower.
- **Highlight Point Shift:** If your image is prone to gloss differential, checking Highlight Point Shift will help to reduce gloss differential by adding density to the highlights of your image.
- **Tone Color Circle:** Click on any portion of this color wheel or enter corresponding values to customize the tone (hue) to add to your black and white print. The closer you select to the edge of the wheel, the more color you will add to your black and white print.
- **Preview:** Approximates the image tone based on your settings. Please note this preview will always be of the same image and is not color managed. It is just to be used to give you a level of feedback as you make changes.

Monitoring Print Jobs

After you click Print, you can monitor the progress of your print job using the Printer Setup Utility/Print Center. Follow these steps:

1. Click the icon for your printer or **Print Center** icon on the Dock.

If necessary, double-click your printer (and print queue) name.

You see a screen like this:



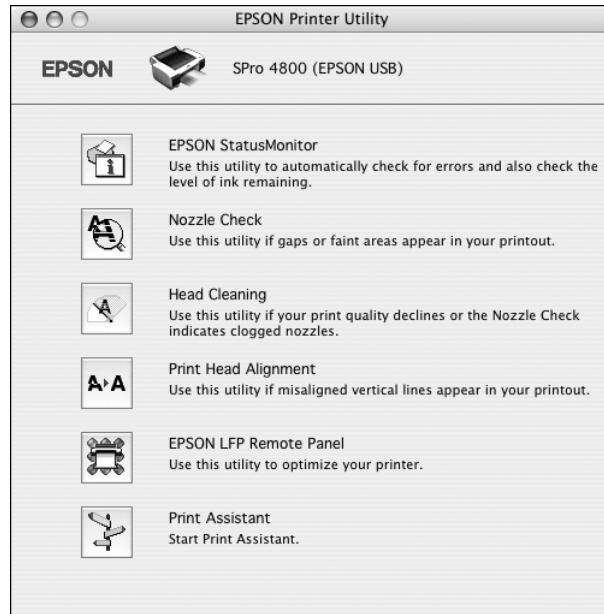
2. From here you can monitor the progress of your print job or do one of the following:
 - Click the print job, then click **Delete** to cancel the job
 - Click the print job, then click **Hold** to pause printing
 - Click a print job marked “Hold” and click **Resume** to resume printing
 - If multiple print jobs are listed, click a print job, then click the **Priority** arrow as necessary to reorder the jobs
3. When you're finished, close the print job window, then close your printer window or the Print Center window.

Checking Ink Levels and Maintenance Tank

The EPSON Printer Utility lets you check the levels of ink in the printer and the level of the maintenance tank. You can also run maintenance utilities from this screen. See pages 104 to 105 for instructions.

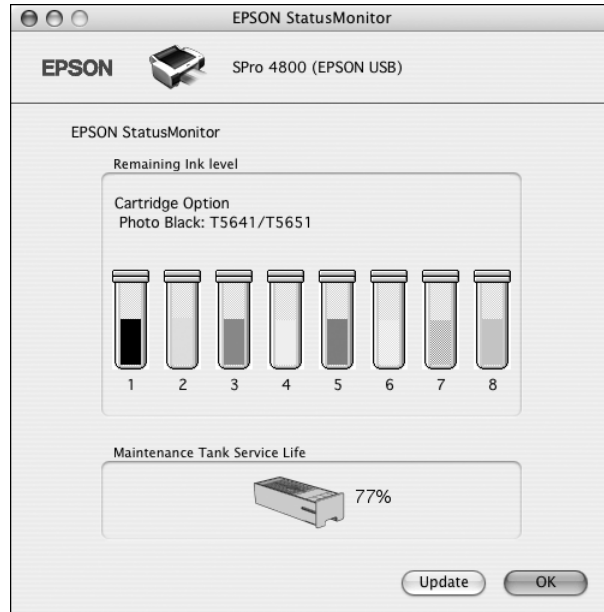
1. Double-click the Applications folder on your hard drive.
2. Double-click EPSON Printer Utility.

3. Select your printer and click OK. You see the Epson Printer Utility screen:



4. Click the Epson StatusMonitor icon.

The software checks the amount of ink in the printer and maintenance tank and displays the StatusMonitor window:



5. To recheck the ink levels, click the **Update** button. To close the Status Monitor, click **OK**.

Chapter 4: Printing with Epson Drivers for Windows

Your Stylus Pro 4800 comes with drivers and utilities that let you print and manage print jobs. ICC profiles are included, so you can use the color management features in Photoshop or other applications, or in the driver itself. A color-managed workflow using Adobe Photoshop will give you the most accurate colors and best photographic output from your Epson Stylus Pro 4800. For the best black and white photography output, the Stylus Pro 4800 driver offers Advanced Black and White mode.

You can create your own profiles if you have the required hardware and software, or you can have them created by a color specialist. Make sure any profiles you want to use are located in the standard folder for your operating system. When you install the Epson printer driver, the ready-made profiles are automatically copied to the right folder.

Tip: Check the Epson Pro Graphics website at <http://prographics.epson.com> for updated drivers and utilities that may become available.

This chapter includes the following information:

- Choosing basic print options
- Choosing paper and layout options
- Choosing advanced print options
- Managing print jobs

Choosing Basic Print Options

Before you print, you need to set basic printing properties. Make sure you have installed the Epson driver and utilities from the CD-ROM.

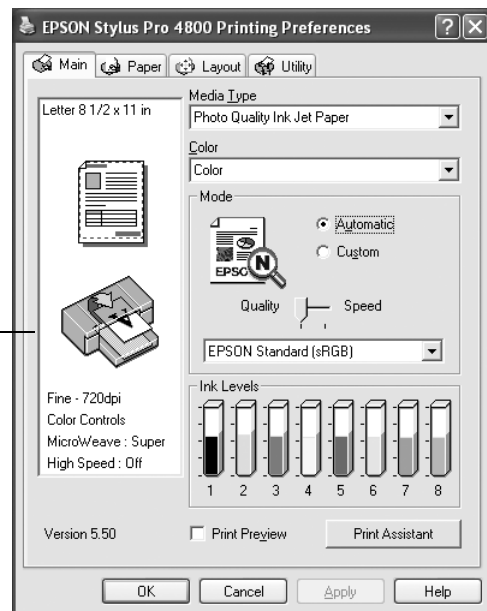
The driver offers automatic settings that optimize print quality and speed when you're using Epson media. You can also choose advanced settings for more control over your printer and color management options, as described on page 93.

Follow these steps to make basic settings:

1. Start an application, open the file you want to print, and select **Print** in your application. You see the Print window.
2. Make sure your printer is selected, then click the **Properties** button. Or, if you see a **Setup**, **Printer**, or **Options** button, click it instead. Then click **Properties** on the next screen. You see a window like the following:

This box shows you the current settings, but you can't change them from here

Note: If you need more information about print options, you can click the **Help** button on any screen.



3. Select a **Media Type** setting that corresponds to the paper you are printing on. If you are using a color-managed workflow, make sure you choose media type and resolution settings that match the ICC profile you are using.

The settings followed by (250) are for roll paper or selected 17-inch wide sheets. Choose a setting without the (250) designation when you print on smaller sheets. For PremierArt Water Resistant Canvas for Epson, choose the **Watercolor Paper - Radiant White** setting.

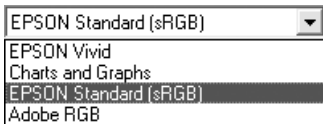
If your paper is not listed, check the instructions included with the paper, or check the Epson web site (<http://prographics.epson.com>). If you are using non-Epson media, choose the closest setting. You may have to experiment with different settings to determine which one is best for the media you're using.

4. For the Color setting, select **Color** for any type of photographic printing. Choose **Advanced B&W Photo** if you are printing black and white photos on select paper types. (For paper types that don't support this option, print black and white photos with the **Color** setting.) Select **Black** only if you're printing line drawings or other non-photographic images.

5. Set the **Mode** option as follows:

- Click **Automatic** to have the printer driver analyze the contents of your image or file and make the appropriate printing adjustments. If a **Quality/Speed** slider appears in the Mode box, set it according to the priorities of your print job.

You can choose one of the mode settings shown at the left:



The **Charts and Graphs** setting intensifies colors and lightens the midtones and highlights for non-photographic output.

The **EPSON Vivid** setting produces vivid blue and green tones in printouts. Because this setting reproduces blue and green tones that cannot be displayed by your monitor, your printouts may differ from the screen images when this option is selected.

The **Charts and Graphs** setting intensifies colors and lightens the midtones and highlights of an image. Use this setting for presentation graphics, such as charts and graphs.

Note: Check the web site (<http://prographics.epson.com>) or your authorized Epson dealer for other media that may be available.

The **EPSON Standard (sRGB)** setting increases the contrast in images. Use this setting for color photographs.

The **Adobe RGB** setting matches image colors to the Adobe RGB color standard.



- Click **Custom** to choose one of the settings shown at the left.

The two **Advanced Photo** settings let you print at either 1440 dpi (**Advanced Photo**) or 2880 dpi, the highest resolutions available.

The **PhotoEnhance™** setting allows you to correct noise and other problems common to digital camera images or choose special tone and effect settings.

Click the **Advanced** button to turn off color management in the printer driver or access additional settings, as described on page 91.

6. When you're finished choosing print options, click the **Paper** tab and follow the instructions below for choosing paper and layout options.

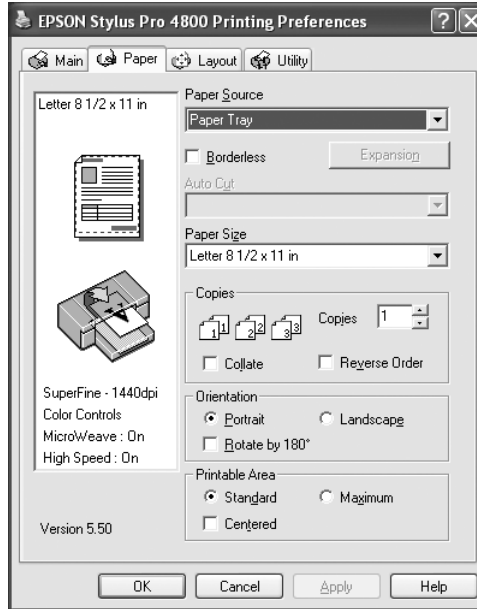
Note: Many application settings override settings in the printer driver. Always verify settings to get the results you expect.

Choosing Paper and Layout Options

You can select a variety of settings for margins, orientation, paper saving, sizing your image, and double-sided printing. Follow the instructions below to select settings for cut sheet paper, or the instructions on page 88 for roll paper.

Choosing Cut Sheet Paper Options

1. On the Properties window, click the **Paper** tab. You see this window:



2. Select the paper source you're using (**Paper Tray**, **Roll Paper**, **Roll Paper (Banner)**, or **Manual Feed**) from the **Paper Source** list.
For more information about printing on roll paper, see page 88.
3. If you want to print to the edges of the page, click **Borderless**. Note that borderless printing applies only to the left and right sides of the page on cut sheets; margins are required at the top and bottom of the page. For full-bleed borderless printing, use roll paper, as described on page 89.

Choose **Auto Expand** or **Retain Size**:

- **Auto Expand** enlarges your image (up to 3%) to fit the size of the paper.
- **Retain Size** prints your image at the size you specify in your application. You need to size it slightly wider than the paper width if you want to print without borders.

4. Select the **Paper Size** loaded in the printer.

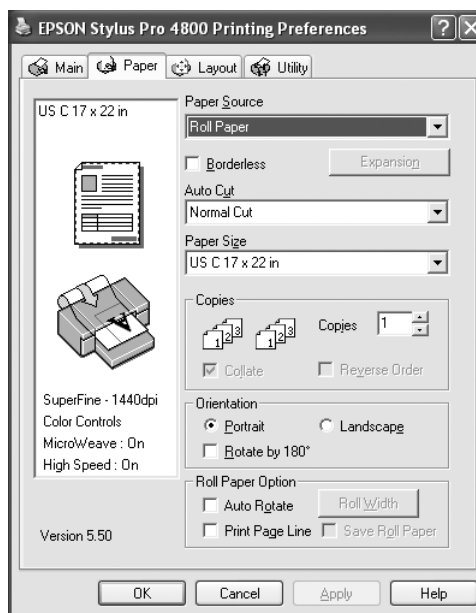
5. Make the settings you want for **Copies, Orientation, and Printable Area**.
 - **Standard** makes the bottom margin larger than the top and sides.
 - **Maximum** reduces the bottom margin (available only for plain paper).
 - **Centered** places the image in the center of the printable area.
6. If you want to reduce or enlarge your image or print on both sides of the paper, click the **Layout** tab. See your electronic *Reference Guide* for more information about double-sided printing.
7. After making your settings, click **OK**.

Note: Many application settings override settings in the printer driver. Always verify settings to get the results you expect.

Choosing Roll Paper Options

Follow these steps to print on roll paper and select settings for borderless printing and automatic cutting:

1. On the Properties window, click the **Paper** tab. You see this window:



2. Select **Roll Paper** or **Roll Paper (Banner)** from the **Paper Source** list.

The **Roll Paper (Banner)** setting allows you to print a series of continuous images without any margin space between them. This option is not available with all applications.

3. If you want to print without margins, click **Borderless**. Note that borderless printing takes longer than normal printing. See page 91 for more information about borderless printing.

Click **Expansion**. Choose **Auto Expand** or **Retain Size**, then click **OK**:

- **Auto Expand** enlarges your image (up to 3%) to fit the size of the paper. You can use the slider to adjust the expansion. Choose **Min** for the least amount of image expansion (with a chance that there will be small borders around the edges) or **Max** for the greatest amount of expansion (some of the image will be cut off around the edges, but it will extend to the edge of the paper).
- **Retain Size** prints your image at the size you specify in your application. You need to size it slightly wider than the paper width if you want to print without borders.

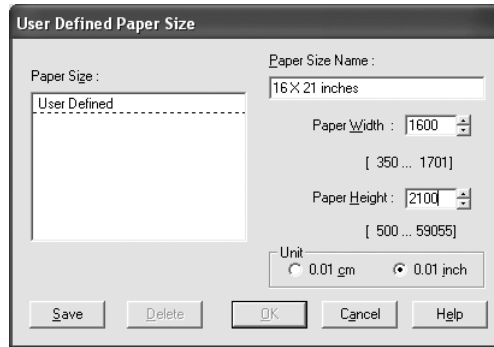
4. Choose one of the following **Auto Cut** settings:

- **Off** disables automatic cutting. Choose this setting if you want to operate the cutter manually, print multiple print jobs without cutting, or if you are printing on heavy media that must be cut by hand. See page 57 for instructions on operating the cutter manually.
- **Single Cut** causes the images to be printed end-to-end and saves paper. With borderless printing, you may see a sliver of the previous or next image.
- **Normal Cut** allows margin space at the top and bottom of each image.
- **Double Cut** extends the space between images and trims each print individually. This provides the cleanest edge for borderless printing.

5. Select the size of your image as the paper size.

Tip: Creating a user-defined paper size generally lets you make the best use of your roll paper.

To make the best use of your paper, creating a custom paper size is recommended. Select **User Defined**. You see this screen:



Type a name for your custom size, then enter the size in hundredths of an inch (or centimeters) and click **Save**, then click **OK**.

6. If you are printing with margins, set the following options:
 - **Auto Rotate** saves paper if your document length is shorter than the printable width of the roll. The document is automatically rotated 90 degrees and printed crosswise. Be sure to click **Roll Width** and select the width of your roll paper.
 - **Print Page Line** prints trim lines on the right and bottom edges of your pages.
 - **Save Roll Paper** saves paper by not feeding the blank portion of the last page of your document. Available only if you've selected **Roll Paper (Banner)** as the Paper Source.
7. Make the settings you want for **Copies** and **Orientation**.
8. If you want to reduce or enlarge your image, click the **Layout** tab. See the electronic *Reference Guide* for more information on layout settings.
9. After making your settings, click **OK**.

Note: Select **Landscape** when you want to rotate your image 90°.

Borderless Printing

For true borderless printing on roll paper, you can select either **Auto Expand** or **Retain Size** and create a custom paper size, as described above. Your image may be clipped on the left and right edges, but you can minimize clipping by sizing your image according to the page width and by adjusting the length.

For either setting, you should add 0.1 inch to the length of your custom size.

The Auto Expand setting provides the best solution for borderless printing with minimal image clipping. Using this setting, you can create a custom paper width equal to the width of the roll media. If you use the Retain Size setting, you should create a custom paper width slightly wider than the actual width of the media.

The following table shows recommended image widths (in inches) for borderless printing using either the Auto Expand or Retain Size setting:

Recommended image widths (in inches) for borderless printing

Roll paper width	Image width (with Auto Expand)	Image width (with Retain Size)	Custom Paper Size (for Retain Size only)
8.3	8.06	8.35	8.3
10	9.7075	10.25	10
12*	11.8	12.25	12
14*	13.8	14.25	14
16	15.8	16.25	16
17	16.8	17.25	17

* Non-Epson roll media widths

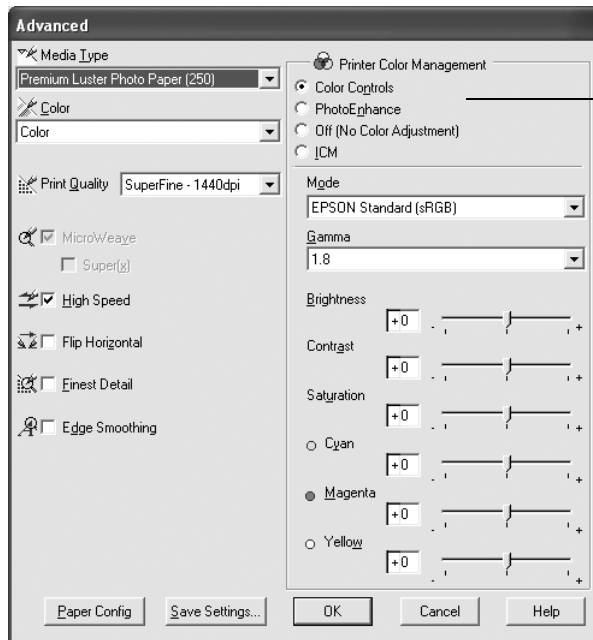
Choosing Advanced Print Options

The advanced settings give you complete control over your printing environment. If you are using color management settings in Photoshop or another application, it is very important to access the advanced settings and turn off color management in the printer driver, as described on page 93.

1. Follow steps 1 through 4 beginning on page 84.

2. Click **Custom** and then click **Advanced**.

You see a window like the following:



These settings give you different options on the lower part of the screen

Note: The Print Quality settings available depend on the Media Type you selected. Choose lower print quality for faster printing, or SuperPhoto - 2880dpi for best quality.

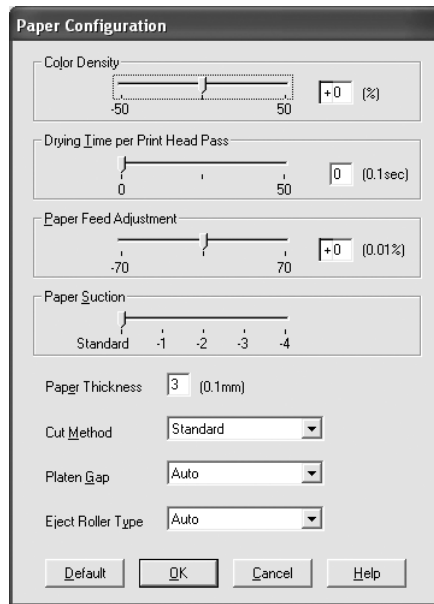
3. If necessary, you can change your **Media Type** and **Color** settings.
4. Choose one of the following **Print Quality** settings:
 - Draft
 - Normal - 360dpi
 - Fine - 720dpi
 - SuperFine - 1440dpi
 - SuperPhoto - 2880dpi

5. Choose any of the following:
 - **High Speed** for fast, bidirectional printing at lower quality.
 - **Flip Horizontal** for printing a mirror image of your file. Use with backlight film.
 - **Finest Detail** for sharper edges when printing text, graphics, and line art.
 - **Edge Smoothing** to improve the quality of low-resolution images.
6. Choose one of the following Color Management settings:
 - **Color Controls** lets you specify individual values for adjusting brightness, contrast, saturation, and CMY inks, or choose from the three Color Control modes. You can also choose from three Gamma settings, which control image contrast by modifying the midtones and midlevel grays.
 - **PhotoEnhance** allows you to correct noise and other problems common to digital camera images or choose special tone and effect settings.
 - **Off (No Color Adjustment)** disables color management in the printer driver. Choose this mode when you use a color managed workflow in Photoshop or other software.
 - **ICM** adjusts colors based on the printer's ICC profile, using the Image Color Matching system and the printer's Epson Standard profile. In most cases, you will get better results by applying color management in your application, rather than in the printer driver.
7. If you are using non-Epson media and you need to fine-tune its performance, click the **Paper Config** button.

Tip: If you turn off color management, you can still control the ink density, as described on page 94.

Note: You may need to change the Color Density setting if your custom profile was created to optimize D-max and color gamut.

You see the following:



Select the correct settings to match your ICC profile. These settings override any paper configuration settings you may have made using the printer's control panel.

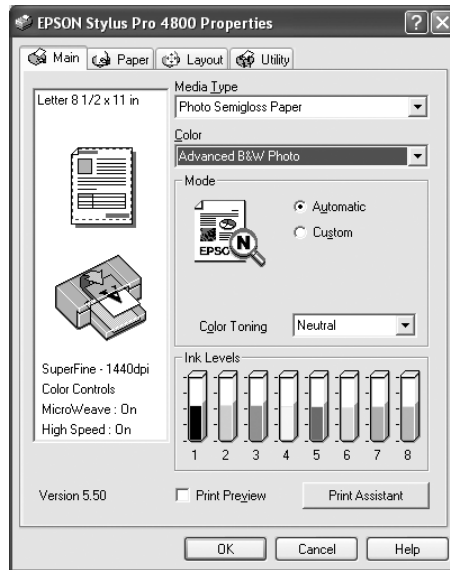
- **Color Density** lets you control the ink saturation level (for example, when you turn off color management in your printer software).
- **Drying Time per Print Head Pass** lets you print with non-Epson media and avoid smearing the ink. You can make the print head wait up to 5 seconds after each pass to allow ink to dry.
- **Paper Feed Adjustment** helps reduce banding. Choose a lower value if you see white lines on your prints, or a higher value if you see dark lines.
- **Paper Suction** lets you decrease the paper suction level when printing on thinner papers (less than 12 lb), such as CAD drafting paper or backlight film.
- **Paper Thickness** helps reduce vertical banding and creates a sharper image when printing on unusually thick or thin paper.

- **Cut Method** decreases the cutting blade pressure for thinner media, and adjusts the speed for thick media. You may need to experiment to determine the best setting for your paper.
 - **Platen Gap** lets you fine-tune the setting for various paper thicknesses.
 - **Eject Roller Type** lets you define the eject roller for printing with non-Epson media. You may need to experiment to determine the best setting for your paper.
8. Click **Save Settings** if you want to have your advanced settings available for reuse. Then type a name for the group of settings and click **Save**. The name is added to your list of custom settings.
 9. When you're finished setting advanced printer options, click **OK**.

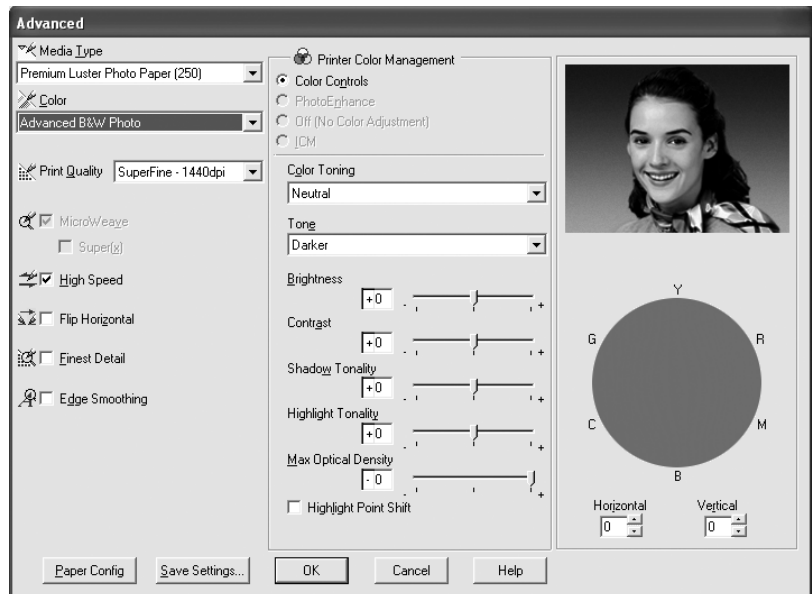
Choosing Advanced Black and White Photo Settings

The Advanced Black and White Photo mode allows you to easily produce neutral and toned black-and-white prints using your Epson driver and offers an alternative black and white workflow. Advanced Black and White Photo mode also provides settings for more advanced black and white control. Whether your photo is color or grayscale, you can use this unique screening and color management technology to create stunning black-and-white prints. This mode is only available when printing on select media types.

1. On the Main tab, Choose the Media Type setting for the paper you have loaded in the printer.



2. Choose Advanced B&W Photo for the Color setting.
3. Click Custom, then click Advanced. You see this screen:



4. You can adjust the following settings:
- **Color Toning:** Allows you to add tone (hue) to your black and white output. The default is Neutral, which will provide you with a neutral tonal scale print. You can also choose other popular presets such as Cool, Warm, and Sepia. Note that the presets will affect the target found in the Tone Color Circle.
 - **Tone:** Allows you to easily change the entire tonal scale of your black and white output. While **Darker** is the default setting, you may see better results if you choose **Dark**.
 - **Brightness:** Adjusts the overall lightness and darkness of your image.
 - **Contrast:** Adjusts the difference between the light and dark areas of your image.
 - **Shadow and Highlight Tonality:** Allows you to control tonality only in the shadow or highlight areas of your image.
 - **Max Optical Density:** Adjusts the overall density or focus of the print. Create a soft focus print by setting the density to lower.
 - **Highlight Point Shift:** If your image is prone to gloss differential, checking Highlight Point Shift will help to reduce gloss differential by adding density to the highlights of your image.
 - **Tone Color Circle:** Click on any portion of this color wheel or enter corresponding values to customize the tone (hue) to add to your black and white print. The closer you select to the edge of the wheel, the more color you will add to your black and white print.
 - **Preview:** Approximates the image tone based on your settings. Please note this preview will always be of the same image and is not color managed. It is just to be used to give you a level of feedback as you make changes.

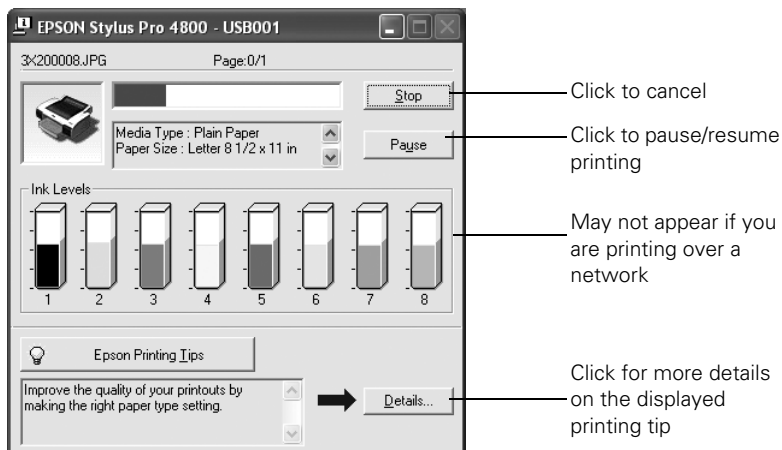
Managing Print Jobs

Your printer comes with several utilities that let you check on your print jobs and cancel, pause, or restart them.

The Progress Meter opens each time you send a print job. Status Monitor 3, which appears on the taskbar when you print, lets you check the printer's status and monitor print jobs.

Using the Progress Meter

After you send a print job, the Progress Meter window appears:



You can use the buttons to cancel, pause, or restart your print job. You also see how much ink you have left and view printing tips.

If you don't want the Progress Meter to appear, you can turn it off. See page 99 for instructions.

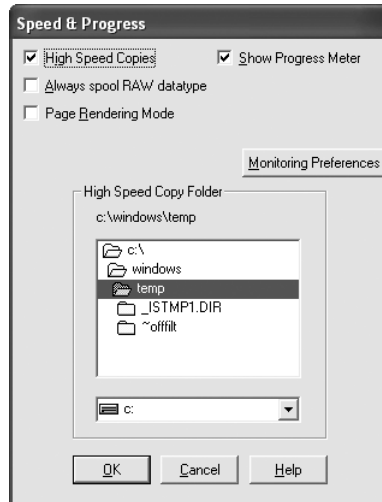
Setting Monitoring Preferences and Optimizing Print Speed

You can choose when and how you want to be notified of problems, whether you want a Status Monitor 3 icon to appear on your Windows taskbar, and whether you want to allow monitoring by other users who share the printer. You can also use the Speed and Progress utility to improve printing speed.

1. Do one of the following:
 - **Windows XP:** Click **Start** and select **Printers and Faxes**. Right-click your printer icon and select **Printing Preferences**.
 - **Windows 2000:** Click **Start**, point to **Settings**, then select **Printers**. Right-click your printer icon and select **Properties**, **Document Defaults**, or **Printing Preferences**.

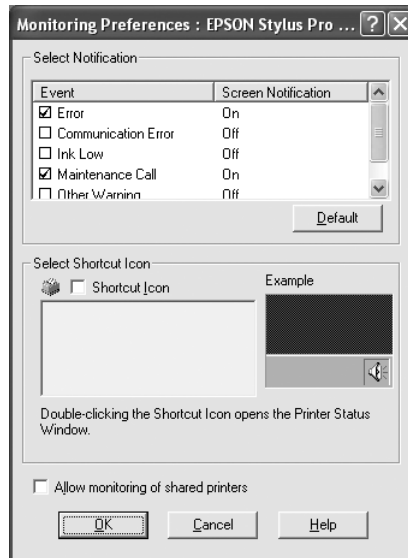
2. Click the **Utility** tab, then click the **Speed & Progress** button. You see the Speed & Progress window:

Note: If you want to disable display of the progress meter during printing, you can click the **Show Progress Meter** checkbox to deselect it.



3. Select from the following options:
 - **High Speed Copies** speeds up printing of multiple copies of the same document using hard disk space as a cache. If you have multiple hard drives, you can select a different drive to spool to.
 - **Show Progress Meter** lets you control whether or not the Progress Meter is displayed when you send a print job.
 - **Always spool RAW datatype** lets you spool documents using the RAW format instead of the EMF (metafile) format. Because the RAW format requires fewer resources, printing is faster and you can avoid certain problems, such as insufficient memory or disk space.

4. Click the **Monitoring Preferences** button. You see the Monitoring Preferences window:



5. Select the Notification options you want to use.
6. If you want to have the Status Monitor 3 icon appear in your Windows taskbar, click the **Shortcut Icon** checkbox. Then select the icon to use.
After you enable the shortcut, you can simply double-click the icon to open the Status Monitor 3 window or right-click it, then select **Monitoring Preferences** in the pop-up menu.
7. Select **Allow monitoring of shared printers** if your printer is shared and you want to let other users monitor it.
8. Click **OK** to save your settings.
9. Click **OK** to close the Speed & Progress dialog box and return to the Utility menu. Then click **OK** again to exit the Printers utility.

Chapter 5: Maintaining and Transporting the Printer

The Epson Stylus Pro 4800 requires little maintenance to keep working at its best. This chapter describes the following routine procedures:

- Checking printer status and part life
- Checking and cleaning the print head
- Aligning the print head
- Replacing ink cartridges
- Changing the black ink cartridge
- Performing additional maintenance tasks
- Replacing the paper cutter blade
- Replacing the maintenance tank
- Cleaning the printer
- Transporting or storing the printer
- Uninstalling and reinstalling printer software
- Removing the optional print server card

In addition to the features described in this chapter, you can also use the SelecType menu system on the printer to fine-tune a variety of printer settings. For more information, see the electronic *Reference Guide* included on the CD-ROM that came with your printer.

Note: To test the print quality, see page 104 for instructions on printing a nozzle check.

Checking Printer Status and Part Life

Using the SelecType menus, you can check the amount of ink remaining, the total number of prints, and the status of your cutter blade, maintenance tank, and other printer parts. You can either print out a status check, or you can view the printer's status on the LCD panel.

Printing Status Information

The status check sheet shows some of the current default settings, the amount of ink remaining in each cartridge, the page count, and the status of various printer parts.

Follow these steps to print the status check sheet:

1. Make sure paper is loaded in the tray.
2. Press the **Menu** > button. You see **PRINTER SETUP**.
3. Press the **✓** button so you see **TEST PRINT**, then press **Menu** > . You see **NOZZLE CHECK**.
4. Press **✓** so you see **STATUS CHECK**, then press **Menu** > . You see **PRINT**.
5. Press **Menu** > again to start printing.

The amount of ink left or the component life is indicated as follows:

E*****F = 100–81% ink or service life remaining

E***** F = 80–61%

E*** F = 60–41%

E** F = 40–21%

E* F = 20–11%

% = less than 10% ink or service life remaining

Note: You can replace the ink cartridges, cutter blade, and maintenance tank yourself. Other printer parts need to be replaced by an authorized Epson service technician.

Viewing Status Information

Note: Some status information is a projection based on the last print made.

To view printer status information instead of printing it, follow these steps:

1. Press the **Menu** >/< button. You see **PRINTER SETUP**.
2. Press the **▼** button until you see **PRINTER STATUS**, then press **Menu** >/<. You see **VERSION**.
3. Do one of the following:
 - To check the firmware version, press **Menu** >/< again. When done, press the **<** button.
 - To check the number of pages that can be printed with each ink cartridge, press **▼** until you see **PRINTABLE PG**, then press **Menu** >/<. When done, press the **<** button.

This option must be enabled by using the maintenance mode on the printer's control panel. See page 116 for instructions.

- To check the amount of ink left, press **▼** until you see **INK LEFT**, then press **Menu** >/<. The status of the first cartridge (**MK**, or matte black) is displayed, using the **E*****F** symbols described above. Continue pressing **▼** to see the status of the remaining cartridges. When done, press the **<** button.
- To check how much of the maintenance tank has been used, press **▼** until you see **MAINT TANK**, then press **Menu** >/<. The status of the tank is displayed, using the **E*****F** symbols described above. When done, press the **<** button.
- To check the amount of ink used (in milliliters) and paper used (in square meters), press **▼** until you see **USAGE COUNT**, then press **Menu** >/<. Clear this setting with the **USE COUNT CLR** option.

You can change the units of measurement from meters to inches and feet by using the maintenance mode on the printer's control panel. See page 116 for instructions.

- To check job history, press **▼** until you see **JOB HISTORY**, then press **Menu** **↘**. For the last 10 print jobs saved in the printer, you see the ink used (in milliliters) and paper used (in square meters). The most recent job is saved as No. 0. When done, press the **<** button. Clear this setting with the **JOB HIST CLR** option.
- To check the total number of prints, press **▼** until you see **TOTAL PRINTS**, then press **Menu** **↘**. When done, press the **<** button.
- To check the status of other printer parts, press **▼** until you see **SERVICE LIFE**, then press **Menu** **↘**. The status of the cutter is displayed, using the **E*****F** symbols described below. Continue pressing **▼** to see the status of the carriage motor, paper feed motor, print head, and cleaning unit.

The status of the ink and printer parts is indicated with these symbols:

E***F** = 100–81% ink or service life remaining

E** F** = 80–61%

E* F** = 60–41%

E F** = 40–21%

E* F = 20–11%

% = less than 10% ink or service life remaining

4. Press the **||** Pause button to exit the menu.

For more information about the Printer Status menu, see your electronic *Reference Guide*.

Note: You can run a cleaning cycle by holding down the **Menu** button for three seconds. You can also use the printer's menus to run a power cleaning cycle. See page 106 for details.

Checking and Cleaning the Print Head

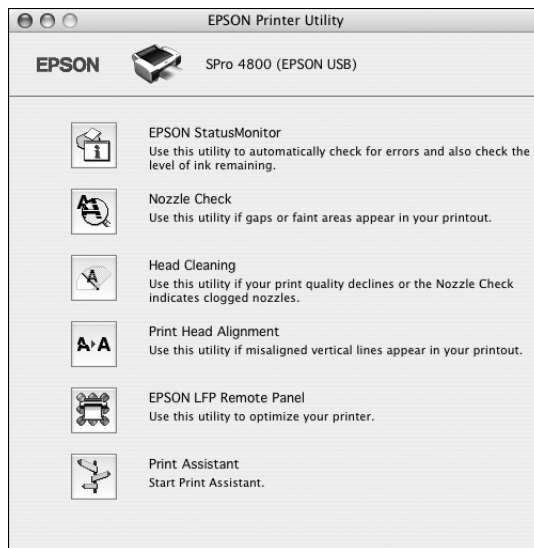
If your printed image shows a color shift or horizontal lines, you should check the print head to see if any nozzles are clogged.

You can check the print head nozzles and select the Auto Cleaning feature at the same time, using your printer utility software. This enables the printer to print a nozzle check pattern, read it, and automatically run a cleaning cycle if necessary.

1. Make sure paper is loaded in the paper tray.
2. Do one of the following to access the printer utilities:

- **Mac OS X:** Open the Epson Printer Utility in your Applications folder. Select **Stylus Pro 4800**, and click **OK**.
- **Windows XP:** Click **Start** and select **Control Panel**. Double-click **Printers and Faxes**. Right-click your printer icon and select **Printing Preferences**. Click the **Utility** tab.
- **Windows 2000:** Click **Start**, point to **Settings**, then select **Printers**. Right-click your printer icon and select **Printing Preferences** (Windows 2000). Click the **Utility** tab.

You see a screen like the following:











3. Click the **Nozzle Check** icon.
4. Click **Print** to print the nozzle check pattern.
5. Examine the nozzle check pattern to make sure it has no gaps or lines.
 - If the printout looks okay, you're done. Click **Finish**.
 - If you see any gaps, click **Clean** to clean the print head and follow the on-screen instructions.
6. If the nozzles do not clear after a few cleaning cycles, run a **Power Cleaning Cycle**, as described in the next section.

Running a Power Cleaning Cycle

You can run a power cleaning cycle from the control panel if the normal cleaning process is not sufficient to clear the nozzles. However, the power cycle uses a large quantity of ink, so it is recommended only as a last resort.

The cartridges need to be at least 50% full to use power cleaning. You may need to replace a low cartridge to run the cleaning cycle. After cleaning, you can reinsert the old cartridge.

1. Print a nozzle check to make sure the print head needs cleaning, as described on page 102.
2. Make sure the printer is ready and the red  ink light on the printer's LCD panel is not on or flashing.
3. Press the **Menu**  button.
4. Press the  button until you see **MAINTENANCE**, then press **Menu** .
5. Press the  button until you see **PWR CLEANING**, then press **Menu** . Press **Menu**  again to start the power cleaning.
6. Follow the instructions on the LCD panel to raise or lower the ink levers.
7. When cleaning is finished and the  Pause light stops flashing, print the nozzle check again to confirm that the head is clean.

For effective cleaning, always run a nozzle check between cycles.

If the pattern is still missing segments after a few power cleaning cycles, turn the printer off and leave it overnight, then clean the print head again the following morning with regular cleaning cycles. If you still see no improvement, contact Epson for assistance.

Caution: Don't run a cleaning cycle while thick media is loaded in the printer.

Note: You must use at least a 10x eye loupe to check the pattern.

Aligning the Print Head

Aligning the print head is the most important thing you can do to ensure the best print quality. If banding appears on your prints, if they look grainy or blurry, or you see misregistration or “ghosting,” you need to align the print head.

Although you can align the print head using the printer utility software, it’s best to align from the control panel. This will do the most thorough job in the shortest time, and it’s all automatic.


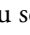
If you haven’t already done so, it’s a good idea to run a nozzle check before aligning the print head (page 104). This ensures that the print head alignment patterns print correctly.

Follow these steps to align the print head using the control panel:

Tip: To properly align the print head, you can use letter-size Epson Enhanced Matte Paper or Premium Luster Photo Paper.

1. Make sure the printer is turned on. Then load Epson Enhanced Matte paper or the paper that came with the printer.
2. Press the **Menu** > button.
3. Press the **^** button so you see **HEAD ALIGNMENT**, then press **Menu** >. You see **PAPER THKNS**.
4. Press the **Menu** > button again so that ***STD** appears on the display. This is the correct thickness setting for most Epson papers, including Enhanced Matte paper.
5. Press the **Menu** > button to register the value, then press the **<** button to display **PAPER THKNS** again.
6. Press the **v** button to display **ALIGNMENT**.
7. Press the **Menu** > button to display **AUTO**, then press the **Menu** > button again. You see **UNI-D** (uni-directional). This is the type of alignment to start with.
8. Press the **Menu** > button again to start the alignment process.

It takes about 7 minutes to run the automatic uni-directional head alignment. The printer's white beam sensor reads the alignment pattern and adjusts the printer automatically. Make sure you don't open the top cover or turn off the printer during this process.

9. When the uni-directional alignment is finished, press the **^** button until you see **BI-D 2-COLOR**. Then press the **Menu**  button again to start the bi-directional black alignment process, which is also completely automatic and takes about 7 minutes.
10. When the bi-directional black alignment is finished, press the **^** button until you see **BI-D ALL**. Then press the **Menu**  button again to start the alignment process. Again, this process is completely automatic and takes about 7 minutes.
11. When done, press the **||** Pause button to exit the head alignment mode.

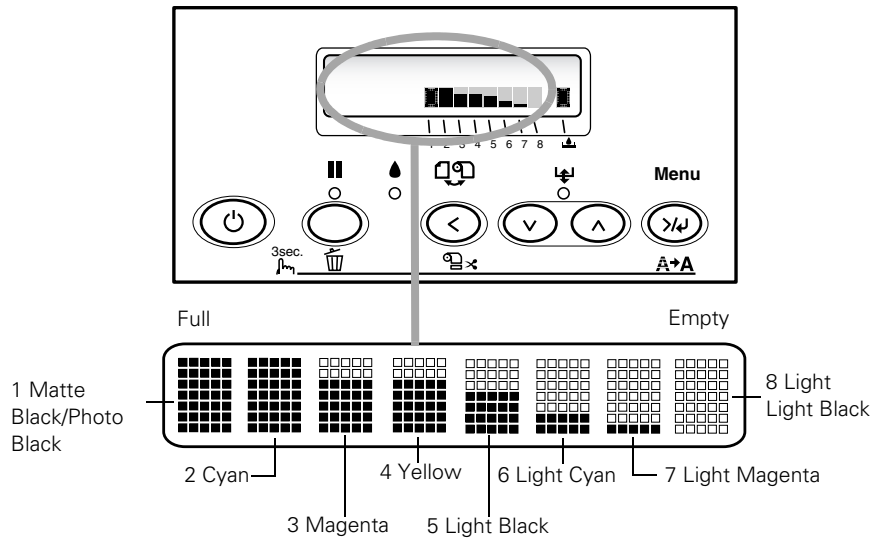
If you want to verify or fine-tune the automatic alignment process, you can perform a manual head alignment. See your electronic *Reference Guide* for instructions.


Replacing Ink Cartridges

Before you begin a large print job, you should check your ink levels. If one of your cartridges is low, you can replace it before you start. Or you can wait until the ink runs out, replace the cartridge, and then continue the job without any loss of print quality. However, it is best to replace a low ink cartridge before starting a large print job.

Tip: You can store partially used ink cartridges for up to 6 months.

The easiest way to check ink levels is from the control panel:



When the red  ink light is flashing (and INK LOW is displayed on the LCD panel), the indicated cartridge is almost out of ink. Make sure you have a replacement cartridge. When the light stays on and INK OUT is displayed, the cartridge is empty. You must replace the cartridge before you can continue printing.

You can install any combination of 110 ml and 220 ml cartridges. It's a good idea to keep a set of empty 110 ml cartridges on hand at all times in case you need to ship the printer.

Caution: You must use the Epson ink cartridges designed for your printer. Other ink cartridges will not work and may cause damage not covered by your warranty.

Caution: Leave the empty cartridge in the printer until you are ready to replace it.

To prevent ink reporting errors, never replace the ink cartridges with the printer turned off.

Use the following UltraChromeK3 Epson ink cartridges:

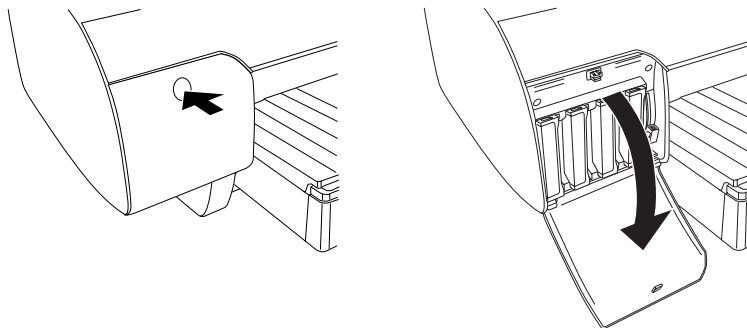
Cartridge	110 ml	220 ml*
Matte Black	T543800	T544800
Photo Black	T564100	T565100
Cyan	T564200	T565200
Magenta	T564300	T565300
Yellow	T564400	T565400
Light Cyan	T564500	T565500
Light Magenta	T564600	T565600
Light Black	T564700	T565700
Light Light Black	T564900	T565900

* When using these cartridges, you must leave the ink compartment door open.

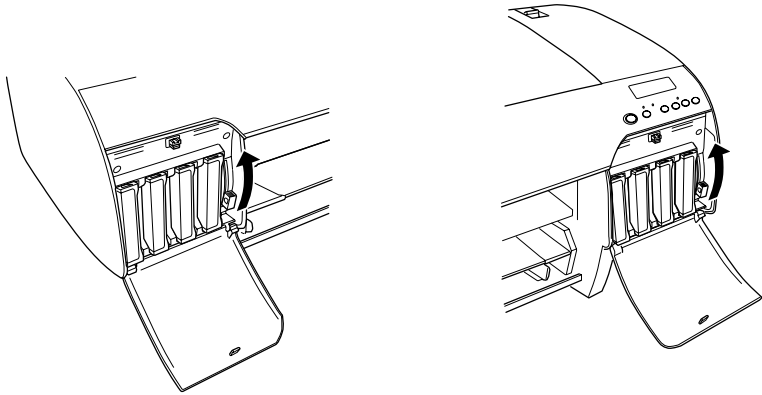
You can purchase genuine Epson ink and paper from an authorized Epson reseller. To find the nearest reseller, please call 800-GO-EPSON (800-463-7766). To purchase online, visit www.epsonstore.com (U.S. sales only). In Canada, please call (800) 463-7766 for reseller referral.

Before you start, make sure the printer is powered on. Then follow these steps to replace an ink cartridge:

1. Note the color of the cartridge whose light is on or flashing. This is the cartridge you need to replace.
2. Press the ink compartment cover to open it.

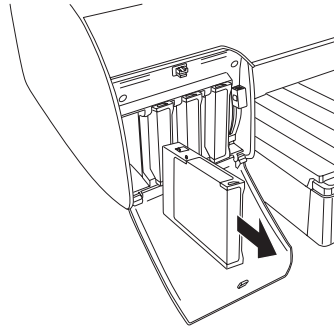


3. Raise the ink levers to the unlocked position.



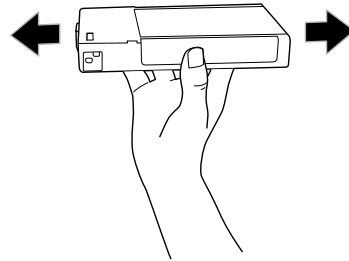
WARNING: Do not shake the empty cartridge, or ink may leak out. If ink gets on your hands, wash them thoroughly with soap and water. If ink gets in your eyes, flush them immediately with water.


4. Remove the empty ink cartridge from the printer. Make sure you save your first set of empty 110 ml cartridges, so you can use them for transporting the printer if necessary.



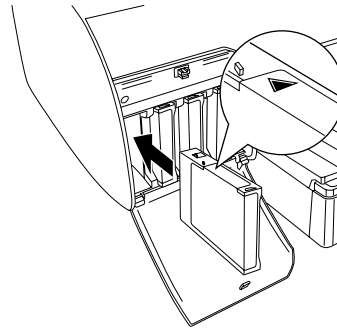
5. Make sure the replacement cartridge is the correct color, and remove it from its package.

6. Gently shake the cartridge before installing it.

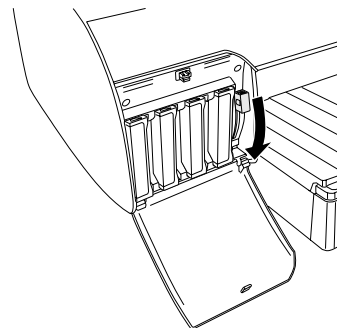


Note: If you can't insert the cartridge smoothly, you may have the wrong cartridge. Check the package and product code. If the  ink light remains on after installing the cartridge, it may not be inserted fully.

7. Hold the cartridge with the arrow pointing toward the printer. Then insert the cartridge into the slot. Don't force it in.

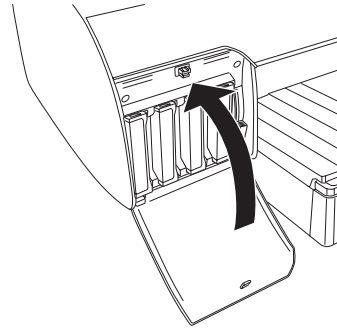


8. Lower the ink lever to its locked position.



Caution: Do not remove and re-insert cartridges more often than necessary. Doing so can compromise the needle valve seal and allow air to enter the ink tubes, causing nozzle loss.

9. If you're using 110 ml cartridges, close the ink compartment cover. If you're using 220 ml cartridges, you'll have to leave the cover open.



Once the cartridges are installed, the printer returns to its **READY** state.

Changing the Black Ink Cartridge

Caution: To avoid interruption, observe the following conditions: Do not turn off the printer, open the top cover, remove the rear cover, move the paper lever to the released position, remove the ink cartridges, remove the maintenance tank, or unplug the power cord.

Note: If an electrical power failure occurs during this operation, turn the printer on again. You can continue your procedure at the breakpoint.

You can change the black ink from Matte Black to Photo Black or vice-versa. You will need to use the Black Ink Conversion Kit (included with your printer) and a new black ink cartridge (either Matte or Photo that you want to convert to).

The Photo Black cartridge is ideal for printing photographic images on all media types. It is optimized for traditional photographic and ink jet-coated papers, such as Epson Premium Luster Photo Paper, Photo Semigloss Paper, Premium Semimatte Photo Paper, etc.

The Matte Black cartridge is optimized for printing photographic images on matte or plain papers, such as Epson Enhanced Matte Paper and Epson Velvet Fine Art Paper.

Generally, you should switch black ink cartridges only if you plan to run a large number of print jobs in the new mode. Since it takes about several minutes to switch and consumes some ink, you shouldn't switch cartridges more often than necessary.

If **MNT TNK FULL** appears on the LCD, you need to replace the maintenance tank. See page 121.

Draining the Old Ink

1. Make sure that **READY** appears on the LCD panel.
2. Press the **Menu** >/< button.
3. Press the **^** button until you see **MAINTENANCE**, and then press the **Menu** >/< button.
4. Press the **^** button until you see **BK INK CHANGE**, and then press the **Menu** >/< button.
5. Press the **Menu** >/< button again.
6. When **RAISE THE RIGHT INK LEVER** appears on the LCD, raise the ink lever on the right ink compartment.
7. When **RAISE THE LEFT INK LEVER** appears on the LCD, raise the ink lever on the left ink compartment.
8. When **REMOVE INK CRTG** appears, remove all four ink cartridges from the left ink compartment.
9. When **INSTALL CNVRSION CRTG** appears, insert the three conversion cartridges in the slots on the left ink compartment.
10. When **LOWER THE LEFT INK LEVER** appears on the LCD, lower the ink lever on the left ink compartment.

The printer starts draining ink and **DRAINING XX%** appears on the LCD. Wait until draining is complete.

Note: If **REPLACE CNVRSION CRTG** appears, press the **Pause** button. Remove the old conversion cartridge(s) from the left ink compartment, and then insert the new conversion cartridge(s). Go to step 4 to start again.

Installing the New Black Ink Cartridge

1. When draining is complete, **RAISE THE LEFT INK LEVER** appears on the LCD. Raise the ink lever on the left ink compartment.
2. When **REMOVE CNVRSION CRTG** appears, remove the conversion cartridges from the slots on the left ink compartment.
3. When **INSERT INK CRTG** appears, insert the cartridges in their specified slots.

4. When **LOWER BOTH INK LEVERS** appears, lower the ink levers on the right and left ink compartments.
5. When **RAISE BOTH INK LEVERS** appears, raise the ink lever on the right and left ink compartments.

Note: Because ink charging after black ink conversion consumes a large quantity of ink, you may need to replace the ink cartridges soon.

The printer starts charging ink. After a while, ink lever messages appear on the LCD.

6. When a message appears on the LCD, raise or lower the ink levers accordingly until **READY** appears on the LCD.
7. Because ink charging after black ink conversion consumes a large quantity of ink, you may need to replace the ink cartridges soon.
When **READY** appears on the LCD, ink charging is complete.
8. If you have installed 110 ml ink cartridges, close the ink compartment covers. If you have installed 220 ml ink cartridges, do not close the ink compartment covers.

Updating the Printer Driver Information

After the replacement operation, update the driver information using the steps below.

- **Mac OS X**
Open the Epson Printer Utility in your Applications folder. Select **Stylus Pro 4800**, and click **OK**. Click the **EPSON StatusMonitor** button and make sure the **Matte Black** cartridge option is shown. If not, click **Update**.
- **Windows**
Click the **Main** tab and make sure that the correct ink cartridge is displayed. If not, set the information manually by clicking the **Utility** tab and then the **Printer and Option Information** button.

Performing Additional Maintenance Tasks

In addition to running a power cleaning cycle and replacing the cutter blade, you can use the Maintenance menu to set the printer's date and time. You can also use the maintenance mode to change printer defaults and run special procedures.

Changing the Date and Time

Follow these steps to set the date and time:

1. Press the **Menu** >↵ button.
2. Press the **▼** button until you see **MAINTENANCE**, then press **Menu** >↵ again.
3. Press the **▼** button until you see **CLOCK SETTINGS**, then press **Menu** >↵.
4. Use the **▲** or **▼** buttons to set each item in the date and time, displayed in the following format: **MM/DD/YY HH:MM**.



Using the Maintenance Mode

The maintenance mode allows you to make special settings and perform maintenance procedures that may be needed occasionally. You can use the maintenance mode to do the following:

- Print a hex dump for diagnosing problems
- Change the language or units of measurements used on the printer's control panel menus
- Enable the printable pages counter
- Change the default pressure setting for the automatic cutter
- Run a "super strong" cleaning cycle.
- Return all of the printer's control panel settings to their default values

Follow these steps to use the maintenance mode:

1. Make sure the printer is turned off. Press and hold the **■** Pause button, then press the **⏻** Power button until the printer turns on and displays **HEX DUMP** on the LCD panel.
2. Press the **^** or **v** button to select the settings described below. If you need to back up to the previous menu level, press the **<** button.
 - To print a hex dump of data in the printer's buffer, press the **Menu >** button to display **EXEC**. Then press **Menu >** again to print the 16-byte hex data in the left column and corresponding ASCII characters in the right column. Press the **■** Pause button to print the last page.
 - To change the language displayed on the LCD panel, press the **v** button until you see **LANGUAGE**, then press the **Menu >** button. Press the **v** button until you see the language you want, then press **Menu >** again to select it. The printer exits maintenance mode and returns to normal operation.
 - To enable printable pages, press the **v** button until you see **PAPER COUNTER**, then press the **Menu >** button. Press the **v** button to select an option, then press the **Menu >** button.
 - To change the units of measurement, press the **v** button until you see **UNIT**, then press the **Menu >** button. Press the **v** button to switch from **METER** to **FEET/INCH**, then press **Menu >** to select the units you want. Press the **<** button when done.
 - To change the default cutting pressure, press the **v** button until you see **CUT PRESSURE**, then press the **Menu >** button to display **100%**. Press the **v** button to decrease the pressure, or the **^** button to increase it (in 1% increments). Press **Menu >** to select the setting you want.
 - To run a super strong cleaning cycle, press the **v** button until you see **SSCL**, then press the **Menu >** button to display **EXEC**. Press **Menu >** to start the cleaning cycle.
 - To return all control panel settings to their default values, press the **^** button until you see **DEFAULT PANEL**, then press the **Menu >** button to display **EXEC**. Press **Menu >** again to restore the default settings.

3. To exit the maintenance mode, turn off the printer by pressing the  Power button. Press the  Power button again to turn on the printer in the normal operating mode.

Note: You can purchase genuine Epson ink and paper from an authorized Epson reseller. To find the nearest reseller, please call 800-GO-EPSON (800-463-7766). To purchase online, visit www.epsonstore.com (U.S. sales only). In Canada, please call (800) 463-7766 for reseller referral.


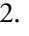
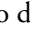
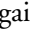
Replacing the Paper Cutter Blade

If you notice that your paper isn't being cut cleanly, the cutter blade may need to be replaced. If you use the blade to cut heavy stock, you will damage the blade and need to replace it. See page 50 for a list of media that do not work with the cutter.

You can check the status of your cutter by printing the status check sheet or viewing its status on the control panel. See page 103 for instructions.

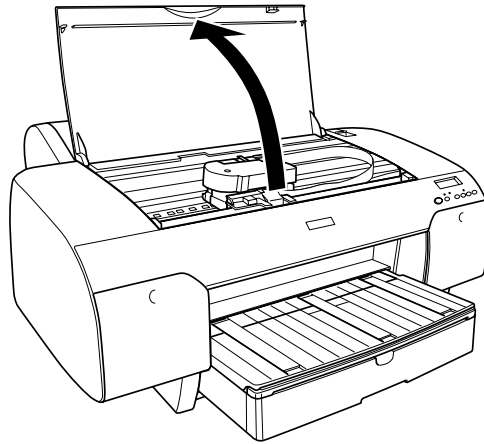
You can obtain a new cutter blade from Epson (part number C12C815291).

Make sure the printer is on, then follow these steps to replace the blade:

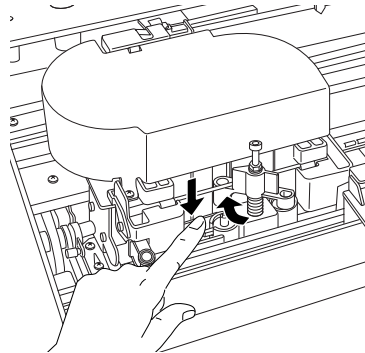
1. Press the **Menu**  button.
2. Press the  button until you see **CUTTER REPLACE**.
3. Press **Menu**  to display **EXEC**.
4. Press **Menu**  again. The print head moves to the replacement position. **OPEN TOP COVER** is displayed.

Caution: Do not try to slide the carriage by hand, or you may damage the printer.

5. Open the top cover.

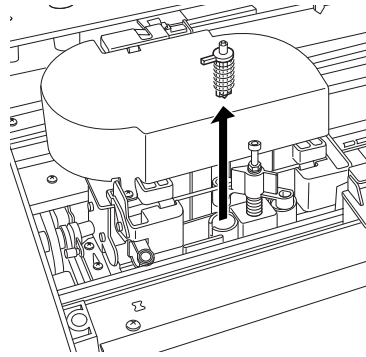


6. When REPLACE CUTTER is displayed on the LCD, hold down the side pin as shown and turn the latch to the right.

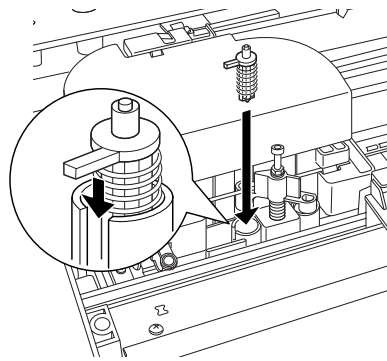


WARNING: The blade is sharp. Be careful when removing it.

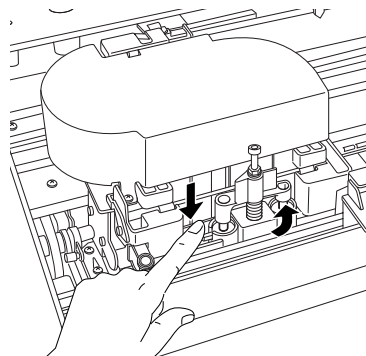
7. Release the side pin and carefully remove the cutter blade.



8. Insert the new cutter as shown.



9. Push down on the side pin while turning the latch to the left.

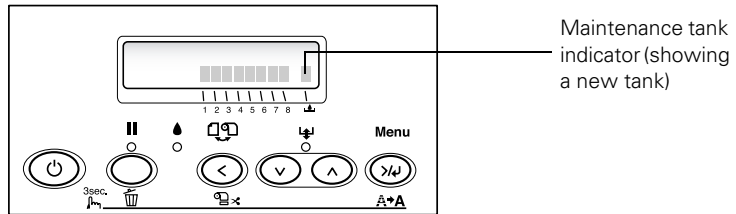


- Close the top cover when you see a message prompting you to do so.
The cutter moves to the home position.

Replacing the Maintenance Tank

The maintenance tank stores ink that gets flushed from the system during manual and automatic print head cleaning. When the tank is almost full, the message **MNT TK NEAR FULL** appears on the LCD panel. When the tank is completely full, the printer stops working and **MNT TNK FULL** appears on the LCD.

You can check how much space remains in the maintenance tank by viewing its indicator on the control panel, shown below. You can also check its status using the SelecType menu (see page 103) or by printing a nozzle check sheet (see page 102).



Note: You can purchase replacement items for your printer from Epson at (800) 873-7766, or by visiting the Epson StoreSM at www.epsonstore.com (U.S. sales only). In Canada, please call (800) 463-7766 for dealer referral.

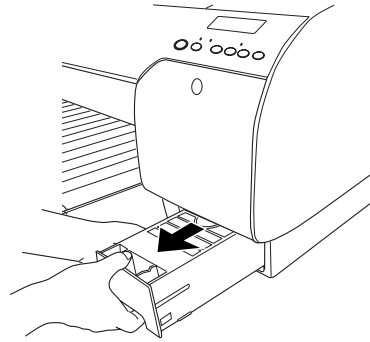
Replacement tanks are available from Epson (part number C12C890191).

Follow these steps to replace the tank:

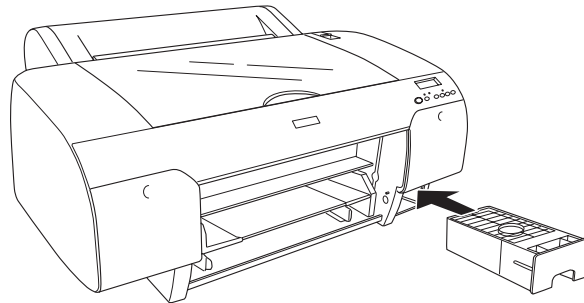
- Make sure the printer is not printing or performing any other operations (**READY** or **PAPER OUT** should appear on the control panel).
- If you are using 220 ml ink cartridges, remove the four cartridges from the right ink compartment, then close the compartment cover.

Caution: Be careful not to spill ink from the maintenance tank when removing it. Hold it upright at all times and dispose of it carefully.

3. Place your hand under the right ink compartment and gently pull out the maintenance tank.



4. Place the used tank in the plastic bag included with the new tank.
5. Insert the new tank.



6. If you removed any ink cartridges, replace them after inserting the new maintenance tank.

Caution: Be careful not to touch the gears inside the printer.

To avoid damaging the components as well as the case, never use alcohol or thinners to clean the printer.

Be careful not to get water on the printer mechanism or electronic components.

Don't use a hard or abrasive brush.

Don't spray the inside of the printer with lubricants; unsuitable oils can damage the mechanism. Contact Epson if you think the printer needs lubrication.

WARNING: The printer weighs about 88 lb (without ink), and should be lifted by two people.

Cleaning the Printer

To keep your printer working at its best, you should clean it several times a year.

1. Make sure the printer is turned off and all its lights are off. Then unplug the power cord and disconnect the printer from your system.
2. Open the roll paper cover and remove the roll paper. Remove any sheets from the paper tray. Use a soft brush attachment to vacuum the paper tray.
3. If the paper path accidentally gets soiled with ink, gently clean it with a soft, lint-free cloth dampened with water.
4. If the outer case is dirty, clean it with a soft, clean cloth dampened with mild detergent. Keep the ink cartridge compartment closed to prevent water from getting inside.

Transporting or Storing the Printer

If you are moving the printer a short distance (for example, in the same building), raise the ink levers and have at least two people lift the printer.

To ship the printer, you must repack it using the original box and packing materials and secure it to a pallet. If you do not have these items, contact Epson to request them. Otherwise, the printer may be damaged beyond repair.

If your printer includes the EpsonNet Ethernet card, you must remove it before shipping the printer for repairs. See page 127 for instructions.

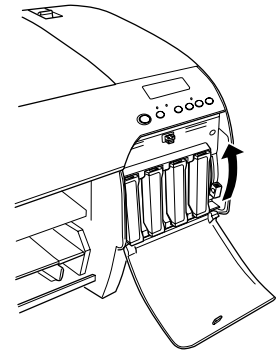
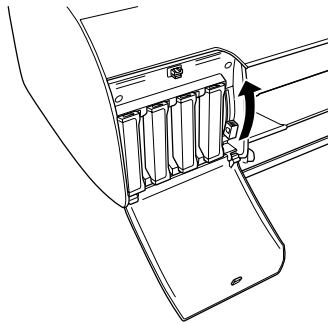
Preparing the Printer for Shipment

1. Turn the printer on and remove the following parts:
 - All paper or other media
 - Roll paper spindle
 - Paper tray
2. If you are using the 110 ml ink cartridges, leave them installed. If you are using 220 ml cartridges, remove them and install 110 ml cartridges.

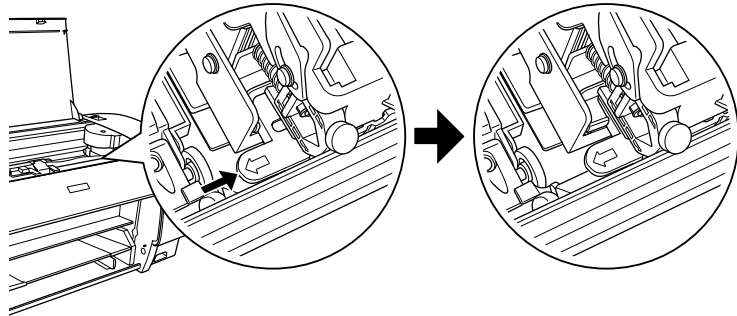
Caution: To avoid spilling ink and damaging the printer, you must leave the cartridges in place, raise the ink levers, and lock the print head.

To store partially used cartridges removed from the printer, tape over the needle valve hole and place each cartridge in a separate, resealable plastic bag. Be sure to remove the tape before reinstalling the cartridges. The printer must be powered on when removing or installing ink cartridges.

3. Raise the ink levers.



4. Make sure the print head is in the home (far right) position. Then lock the print head by pushing the green tab to the right.



5. If you saved the carriage retainer bracket, replace it and screw it back into place. (See page 18.)
6. Turn off the printer and unplug the power cord.
7. If you need to ship the printer, you must repack it using the original box and packing materials and secure it to a pallet. If you do not have these items, contact Epson to request them. Otherwise, the printer may be damaged beyond repair.

If you are transporting the printer in your own vehicle without the original packaging, make sure you wrap and pack the printer securely. Transport the printer in a horizontal position on a flat, stable surface.

8. Keep the printer level while moving it.

Caution: Do not turn off the printer by unplugging it or turning off a power strip. You will not be able to lock the print head, and ink will leak out of the reservoir, damaging the printer.

Caution: Make sure you release the print head by pulling out the green tab.

Setting Up the Printer After Transportation

Setting up the printer after transporting it is almost identical to setting it up for the first time, as described on page 17.

Keep in mind that the first time you start printing after moving the printer, the print head nozzles may be clogged—especially if the printer hasn't been turned on for a long time. You may need to run a cleaning cycle (page 104) and realign the print head (page 107) to ensure good print quality.

If you see the message **PERFORM POWER CLEANING?** on the LCD panel after setting up the printer, select **Y** to start the power cleaning process, as described on page 106.

Uninstalling and Reinstalling the Printer Driver


If you need to uninstall and then reinstall the printer driver software for any reason, follow the instructions in the appropriate section below.

Macintosh

1. Open the **Applications** folder, then the **Utilities** folder.
2. Double-click **Printer Setup Utility**, select **Stylus Pro 4800**, and then click **Delete**.
3. If you want to reinstall your printer software, restart your Macintosh. Then follow the instructions on page 25 to install the software.

Tip: Check the Epson Pro Graphics website at <http://prographics.epson.com> for updated drivers and utilities that may become available.

Windows

1. On Windows XP, click **Start > Control Panel**.
On Windows 2000, double-click  **My Computer**, then double-click the **Control Panel** icon.
2. Double-click **Add/Remove Programs**. Click **Epson Printer Software** in the program list, then select your printer icon.
3. Click the **Change/Remove** or **Add/Remove** button and follow the on-screen instructions.
4. If you want to reinstall your printer software, restart your computer. Then follow the instructions on page 28 to install the software.

Removing the Optional Print Server Card

If you need to exchange or ship your printer, you must remove the Ethernet card.

WARNING: The card will be hot after printing. Make sure you allow the card to cool before handling it.

1. Turn off the printer and disconnect the power cord.
2. Disconnect the Ethernet cable.
3. Remove the two screws securing the card.
4. Make sure the card is cool before pulling it out of the slot.

Chapter 6: Solving Problems

As you use your printer, you may occasionally experience a problem. The first thing you should do is diagnose the problem following the guidelines in this chapter. Then try the most likely solutions until the problem is fixed.

This chapter provides instructions for the following:

- Diagnosing problems
- Checking error messages and lights
- Improving print quality
- Solving operational problems
- Solving miscellaneous printing problems
- Solving paper problems, including clearing paper jams

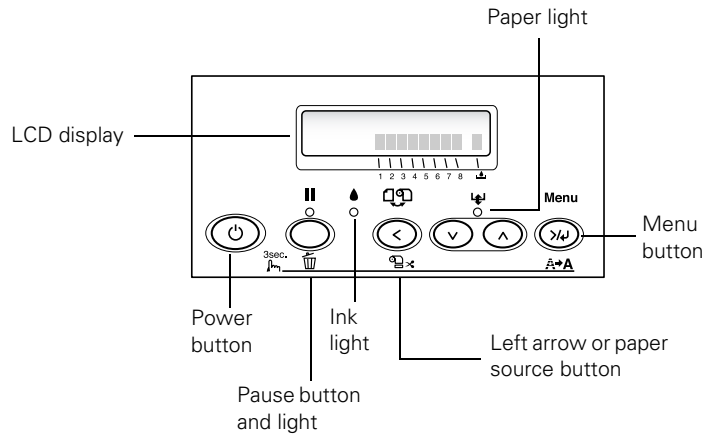
Diagnosing Problems

The Epson Stylus Pro 4800 includes a number of ways to help you diagnose problems:


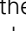
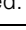










- To identify the most common problems, check the messages and lights on the control panel. See pages 130 through 134 for more information.
- If you're using the Epson printer driver and Status Monitor utility, check your software for error messages. See Chapter 4 or 5 for more information.
- To determine whether the problem is caused by the printer itself, disconnect the printer from your computer and run a nozzle check from the control panel. See page 102 for instructions.
- If none of the suggested solutions in this chapter solve your problem, contact Epson as described under "Where To Get Help" on page 10.

Checking Error Messages and Lights

The control panel includes various lights and an LCD display to indicate the status of the printer:







When your ink or paper runs out or a problem occurs, a message appears on the LCD display, and the lights on the control panel come on or flash. The following table lists the messages in alphabetical order and includes an explanation and instructions for correcting the problem.

Message	Light	Explanation	Response
CHANGE PAPER TYPE	 Paper light on	Paper loaded does not match the source selected.	Press the < Paper Source button to select the correct setting: either  (for paper in the tray, or  or  for roll paper).
COMMAND ERROR	—	You're using the wrong printer driver.	Press the  Pause button and hold it for 3 seconds to cancel the print job. Make sure you installed the correct driver for your printer.
		Damaged data was sent to the printer or the data has an incorrect command.	Press the  Pause button and hold it for 3 seconds to cancel the print job.
		The installed printer driver is not correct for the printer.	Stop printing, and press the  Pause button for 3 seconds. Then make sure that the installed printer driver is correct for the printer.
DRIVER INK SET SETTING IS WRONG MISMATCH ERROR	—	The black ink cartridge option does not match what is selected in the driver Non-Epson genuine ink cartridge is installed.	Stop printing, and then press and hold the  Pause button for 3 seconds. Select the correct black ink cartridge option in the driver. See page 115. If you want to continue printing, press the  Pause button. Press the  Pause button for 3 seconds to cancel printing. If you want to continue printing, press the  Pause button.
FEED SHEET PAPER FEED SHEET PAPER MANUALLY	—	Cut sheet needs to be loaded manually.	Load the sheet in the manual feed slot. See page 46 for instructions.
FORBIDDEN MEDIA FROM P. TRAY	—	Cut sheet needs to be loaded manually.	Load the sheet in the manual feed slot. See page 46 for instructions.
INK LOW	 Ink light flashing	Ink cartridge(s) are nearly empty (printing continues).	Make sure you have replacement cartridges available. See page 108.
INK OUT	 Ink light on	Ink cartridge(s) are empty (printing stops).	Replace the ink cartridge(s) indicated on the LCD panel. See page 108 for instructions.

Message	Light	Explanation	Response
INVALID INK CRTG	● Ink light on	You tried to install the wrong ink cartridge.	If you are installing ink cartridges for the first time, you must install the cartridges that came with your printer. If you are replacing ink cartridges, check the package and product code. You must use the ink cartridges designed for your printer. Other cartridges will not work.
LOAD PAPER	📄 Paper light on	Paper lever is in the released position while loading paper.	After you finish loading paper, pull the paper lever all the way forward, to the secured position.
LOAD ROLL PAPER LOAD SHEET PAPER IN P. TRAY	📄 Paper light on	Paper source setting in printer driver is different from control panel.	Make sure the right paper is loaded and the paper source setting is the same on the control panel and printer driver.
LOWER INK LEVERS LOWER L (or R) INK LVR	—	One or both ink levers are raised.	Pull the lever or levers down to lock the ink cartridges.
MNT REQ.	—	A printer part will need to be replaced soon.	Note the code number and contact Epson as described on page 10.
MNT TK NEAR FULL	—	The maintenance tank is almost full.	Make sure you have a replacement maintenance tank. See page 121.
MNT TNK FULL	● Ink light on	The maintenance tank is full.	Replace the maintenance tank. See page 121 for instructions.
NO BORDERLESS WITH THIS SIZE RELOAD PAPER	—	Borderless setting selected for A2-size sheets (11.7 × 16.5)	Change the setting in the printer driver, or load different-size paper.
Note: These messages alternate.			
NO INK CRTG	● Ink light on	Ink cartridge(s) not installed or ink lever raised.	Install ink cartridges (page 108) or lower the ink lever.
NO MNT TNK	—	The maintenance tank is not installed.	Make sure the maintenance tank is fully inserted. See page 121 for instructions.
NOT STRAIGHT RELOAD	📄 Paper light on	Cut sheet paper is not loaded straight.	Load the paper correctly.

Message	Light	Explanation	Response
NOZZLES STILL CLOGGED	—	Head cleaning did not clear the nozzles.	Run the head cleaning utility again. If the nozzles are still clogged, contact Epson.
OPTION I/F ERROR	—	Wrong interface card installed.	Turn off the printer and remove the card. See the documentation that came with the card.
PAPER NOT CUT	🖨️ Paper light flashing	Roll paper was not cut correctly. The cutter may be blunt or incorrectly installed.	Open the top cover and remove the uncut paper. Reload paper if necessary. Reinstall or replace the cutter blade if necessary, as described on page 118.
PAPER NOT STRAIGHT	🖨️ Paper light flashing	Paper slipped and fed into the printer at an angle.	Reload paper, making sure the edges are straight.
PAPER OUT	🖨️ Paper light on	No paper is loaded. Paper ran out.	Load paper. Remove any printouts or paper remaining in the printer and load more paper. If the message appears during a print job, reset the printer by pressing the Pause button for 3 seconds. Then load paper and resend the job.
REAR COVER OPEN	—	The rear cover has been removed.	Replace the rear cover.
RELEASE LEVER REMOVE PAPER JAM	🖨️ Paper light flashing	Paper has jammed in the printer.	Remove the jammed paper. See page 142 for more information.
RELOAD PAPER	🖨️ Paper light on	Printer cannot detect paper. PAPER NOT CUT error was cleared.	If you are using cut sheets, make sure the paper is flat. Move the paper lever. Reload paper.
RELOAD PAPER INSERT DEEPLY	🖨️ Paper light on	Manually loaded sheet is not inserted far enough.	Insert the sheet further into the printer. See page 46 for instructions.
REMOVE PAPER	🖨️ Paper light on	Paper is too thick for head cleaning. Printer could not feed the printed page.	Pull the paper lever out to remove the paper. Head cleaning automatically starts. After cleaning, reload paper. Remove the print.
REPLACE CNVRSION CRTG	—	The conversion cartridge needs to be replaced.	Replace the conversion cartridge with a new one. Or, complete the replacement of the black ink by pressing the ■ Pause button.

Message	Light	Explanation	Response
SERVICE REQ.	All lights flashing	The print head is locked. An error has occurred.	Pull out the green tab to unlock the print head. See page 18. Note the error number, then turn the printer off and back on. If the message remains, contact Epson as described on page 10.
SET INK CRTG	—	Ink cartridge chip error.	Remove and reinstall the ink cartridge. If the message remains, replace the cartridge.
SET PAPER LEVER	 Paper light on	Paper lever was released during the printing process or another operation.	Pull the lever all the way forward, to the secured position. Start printing again from the beginning for best results.
TOP COVER OPEN	—	Top cover is open.	Close the top cover.
UNABLE TO PRINT	—	You tried to print while an error condition was present.	Press the  Pause button to exit the SelecType menu system. If the message appears again, clear the error before you print.
WRONG INK CRTG	 Ink light on	You tried to install the wrong ink cartridge.	If you are installing ink cartridges for the first time, you must install the cartridges that came with your printer. If you are replacing ink cartridges, check the package and product code. You must use the ink cartridges designed for your printer. Other cartridges will not work.
WRONG PAPER SIZE	 Paper light flashing	Loaded paper does not match the image size.	Make sure the size you selected in the printer driver matches the loaded paper size. Load the correct size paper if necessary.

Improving Print Quality

You can often improve print quality by doing the following:

- Run a nozzle check and cleaning cycle. See page 104 for instructions.
- Align the print head. See page 107 for instructions.
- When you send a print job, make sure your print options are set correctly. For more information, see Chapter 3 (Macintosh) or Chapter 4 (Windows).

If none of these suggestions help, try the solutions below.

Problem	Solution
Your print has horizontal banding.	<ul style="list-style-type: none"> ▶ Check the ink indicators and light to see if you are low on ink. Replace ink cartridges if necessary, as described on page 108. ▶ Run a nozzle check and cleaning cycle. See page 104 for instructions. ▶ Align the print head from the printer's control panel, as described on page 107. ▶ Turn off High Speed in your Advanced settings. ▶ Make sure the Media Type setting in the printer software is correct for the media you're printing on. ▶ If you're using cut sheet media, make sure the printable side is face down in the tray. ▶ Choose a higher resolution, such as SuperPhoto - 2880dpi. ▶ If you're using a third-party RIP and non-Epson media, see if the RIP provides a method for adjusting the paper feed. <p>Try adjusting your paper configuration settings (page 72 for Mac OS X or page 94 for Windows). Check these settings:</p> <ul style="list-style-type: none"> ▶ Make sure the Paper Thickness setting is correct for the paper you're printing on. ▶ If you're printing on thin paper that's getting saturated with ink, reduce the Paper Suction. ▶ Use the Paper Feed Adjustment to tune out banding. Reduce the value for white lines, and increase it for overlapping dark lines. ▶ If you've created a custom paper configuration, be sure to return the setting to standard (STD) when you're done using it. See page 60.

Problem	Solution
<p>Your print is grainy, or has misregistration or ghosting.</p>	<ul style="list-style-type: none"> ▶ Check the ink indicators and light to see if you are low on ink. Replace ink cartridges if necessary, as described on page 108. ▶ Run a nozzle check and cleaning cycle. See page 104 for instructions. ▶ Align the print head, as described on page 107. ▶ Make sure the Media Type setting in the printer software is correct for the media you're printing on. <hr/> <ul style="list-style-type: none"> ▶ If you're using cut sheet media, make sure the printable side is face down in the tray. ▶ Choose a higher resolution, such as 2880 dpi. ▶ Turn off High Speed in your Advanced settings. <p>You may need to adjust your paper configuration settings (page 72 for Mac OS X or page 94 for Windows). Check these settings:</p> <ul style="list-style-type: none"> ▶ Make sure Paper Thickness setting is correct for the paper you're printing on. ▶ If you've created a custom paper configuration, be sure to return the setting to standard (STD) when you're done using it. See page 60.
<p>Colors are incorrect or missing.</p>	<ul style="list-style-type: none"> ▶ Make sure the Media Type setting in the printer software is correct for the media you're printing on. ▶ If you are using the color management features in Photoshop or another application, you must turn off color management in the printer driver. See page 71 (Mac OS X) or page 93 (Windows). ▶ Adjust the Color Density setting in the Paper Configuration utility. ▶ If you're using a third-party RIP or non-Epson media, custom color profiles will give you the best color reproduction. ▶ If you're using cut sheet media, make sure the printable side is face down in the tray. ▶ Run a nozzle check and cleaning cycle (see page 104). ▶ Check the expiration date printed on each of the ink cartridges. If the cartridge is too old, replace it as described on page 108. ▶ Check the ink indicators and light, and replace ink cartridges if your ink supply is low, as described on page 108. ▶ Make sure color settings in your application or printer software are correct.

Problem	Solution
Your print has gaps or appears faint.	<ul style="list-style-type: none"> ▶ Check the expiration date printed on each of the ink cartridges. If the cartridge is too old, replace it as described on page 108. ▶ Make sure the Media Type setting in the printer software is correct for the media you're printing on. ▶ Run a nozzle check and cleaning cycle (see page 104). ▶ Check the ink indicators and light and replace ink cartridges if your ink supply is low, as described on page 108. ▶ The paper thickness setting is not correct for the paper you're printing on. Use your printer software (page 72 for Mac OS X or page 94 for Windows) to choose the correct setting. When you're done printing with a custom paper configuration, be sure to return the setting to standard (STD). ▶ The platen gap setting is too wide. Use the Menu system to change the setting to STANDARD, or to NARROW if printing on very thin paper. See page 58 for instructions.
Your print appears blurry or smeared.	<ul style="list-style-type: none"> ▶ Make sure the Media Type setting in the printer software is correct for the media you're printing on. ▶ If you're printing on non-Epson media, you may need to adjust the paper thickness setting, drying time, or color density. Use your printer software (page 72 for Mac OS X or page 94 for Windows) to choose the correct setting. When you're done printing with a custom paper configuration, be sure to return the setting to standard (STD). ▶ Your paper doesn't meet the required specifications or wasn't stored in a dry, humidity-free environment. Load new paper. ▶ If you're using cut sheet media, make sure the printable side is face down in the tray. ▶ Ink has leaked into the paper path. Wipe the paper path area of the printer with a soft, clean cloth. See page 123 for cleaning instructions. ▶ Turn off High Speed in your Advanced settings. ▶ The platen gap setting is too narrow. Use the control panel to change the setting to WIDE or WIDER. See page 58 for instructions. ▶ Run a nozzle check and cleaning cycle (see page 104).

Problem	Solution
The bottom edge of your print is smeared.	<ul style="list-style-type: none">▶ The paper is curled toward the printable side. Flatten the paper or curl it toward the other side.▶ Make sure the Media Type setting in your printer software is correct for the media you're printing on.▶ If you're printing on non-Epson media, you may need to adjust the paper thickness setting or drying time. Use your printer software (page 72 for Mac OS X or page 94 for Windows) to choose the correct setting. When you're done printing with a custom paper configuration, be sure to return the setting to standard (STD).▶ If printing on thick paper, the platen gap setting may be incorrect. Use the control panel to change the setting to WIDE or WIDER. See page 58 for instructions.

Solving Operational Problems

If you can't turn the printer on, if it stops printing unexpectedly, or if nothing prints, check the following:

- The printer is turned on.
- Paper is loaded in the printer.
- The printer is plugged securely into a working electrical outlet that's not controlled by a switch or timer.
- The interface cable is securely connected to the printer and your system.
- The voltage supplied by the electrical outlet matches the voltage on the printer's rating label. If not, turn off the power and unplug the power cord immediately. Contact Epson for assistance. (See page 11 for details.)


If none of these suggestions help, try the solutions on the following page.

Problem	Solution
The printer stops printing unexpectedly.	<ul style="list-style-type: none"> ▶ If the Pause light is flashing, the printer is performing a maintenance procedure or waiting for ink to dry. Check the display message and lights on the control panel. Wait until the Pause light stops flashing. ▶ Check the display message and lights on the control panel to see if an error has occurred. Follow the instructions for the messages beginning on page 130.
The printer sounds as if it's printing, but nothing prints.	<ul style="list-style-type: none"> ▶ Follow the instructions beginning on page 104 to clean the print head. ▶ Communication between the computer and printer may have been momentarily interrupted. Try restarting the computer and printing again.
Nothing prints.	<ul style="list-style-type: none"> ▶ Turn off the printer and computer. Make sure the interface cable is securely plugged in. Then restart the printer and computer. ▶ Make sure the interface cable meets the required specifications. See page 11 or 12. ▶ The printer port setting doesn't match the printer connection port (Windows). Windows XP: Click Start > Control Panel > Printers and Other Hardware > Printers and Faxes. Right-click the icon for your printer, then select Properties. Click the Ports tab and make sure your printer port is selected. Windows 2000: Click Start > Settings > Printers. Right-click the icon for your printer, then select Properties. Click the Ports tab and make sure your printer port is selected. ▶ Follow the instructions beginning on page 126 to uninstall your printer software. Then locate your printer software CD-ROM and reinstall the software. You can also download and install the latest driver for Macintosh or Windows from the Epson website at http://prographics.epson.com.

Solving Miscellaneous Printing Problems

If your printouts are not what you expected, try the suggestions below:

Problem	Solution
Your print has incorrect or garbled characters.	<ul style="list-style-type: none"> ▶ Make sure your software is installed correctly and the printer is selected. ▶ Clear any stalled print jobs from the Print Center or Printer Setup Utility (Mac OS X). ▶ Turn off the printer and computer. Make sure the interface cable is securely plugged in at both ends.

Problem	Solution
Your print has incorrect margins.	<ul style="list-style-type: none"> ▶ Check the page size or paper size settings in your application. Make sure they are within the printer's printable area. ▶ Make sure the Paper Size and Borderless settings in your printer software are correct for the paper you're using. ▶ Paper is loaded incorrectly. Follow the instructions in Chapter 2 to reload the paper. ▶ The PAPER MARGIN (roll paper margin) setting on the PRINTER SETUP menu is incorrect. If you're using roll paper, check the setting for PAPER MARGIN. See the on-screen <i>Reference Guide</i> for more information.
Your image is inverted.	<ul style="list-style-type: none"> ▶ Turn off the Flip Horizontal setting in your printer software. See page 70 (Mac OS X) or page 93 (Windows) for instructions.
Blank paper is printed.	<ul style="list-style-type: none"> ▶ Make sure your software is installed correctly and the printer is selected. ▶ Make sure the Paper Size setting in your printer software is correct for the paper you're using. ▶ Make sure the Paper Source setting in your printer software is correct.
A ruled line on your print appears to shift.	<ul style="list-style-type: none"> ▶ Align the print head as described on page 107.
Color images print in black only.	<ul style="list-style-type: none"> ▶ Make sure Color is selected in your printer software.
The printer continues to feed paper after you have cancelled a job.	<ul style="list-style-type: none"> ▶ Press the Pause button on the printer to clear any print job data in the printer's buffer. Then press and hold the Pause button to reset the printer.
Roll paper cannot be cut.	<ul style="list-style-type: none"> ▶ The paper cutter blade may be dull. Follow the instructions on page 118 to replace the blade. ▶ The paper may be too thick to cut with the built-in cutter. Cut the paper with scissors. See page 50 for a list of media that cannot be used with the cutter. ▶ Make sure  appears on the LCD panel. If not, press the < Paper Source button to select this setting.

Problem	Solution
Printing is too slow.	<ul style="list-style-type: none"> ▶ Turn on High Speed in your Advanced settings. ▶ Choose a lower resolution in your printer software for faster printing. ▶ Clear space on your hard drive or run a defragmentation utility. ▶ Don't run too many applications at the same time. ▶ Turn off virtual memory. ▶ Add RAM to your system. ▶ Consider upgrading your system to support a faster connection to the printer: either IEEE 1394 FireWire or USB 2.0.

Solving Paper Problems

If paper feed or paper jam problems occur frequently, try one or more of the following solutions:

- For roll paper, try adjusting the paper suction setting. See page 59 for more information. You can also adjust this setting through your printer driver.
- For heavy or thick media, follow the instructions on page 46 to load the media correctly.
- Make sure the paper is not folded, wrinkled, or damp.
- Make sure the printer's environment falls within the required temperature and humidity range.
- Make sure the paper is not too thick or too thin. See pages 37 and 150 to 151 for paper specifications.
- Make sure no foreign objects are inside the paper path.
- Make sure the printer isn't located in a brightly lit area. The paper sensors may not operate correctly.
- Make sure the **Media Type** and **Paper Source** settings in the printer software are correct.
- Make sure the platen gap setting is correct for the paper or media you're printing on. See page 58 for more information.

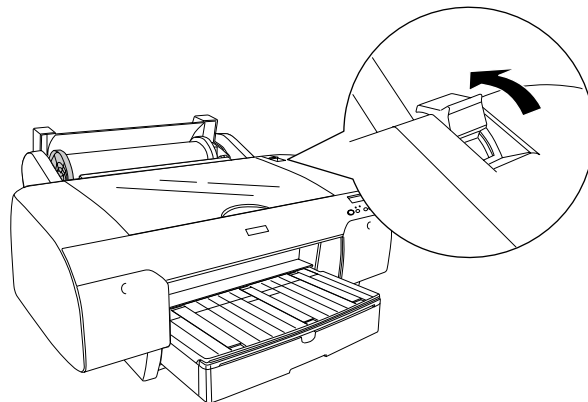
- If you're not using Epson media, make sure you use a paper configuration to adjust for the paper's thickness and drying time (see page 60).
- If roll paper is curled tightly, select **Starwheel-Roll Curled** as the Feed Roller Type in your paper configuration settings.

Clearing Roll Paper Jams

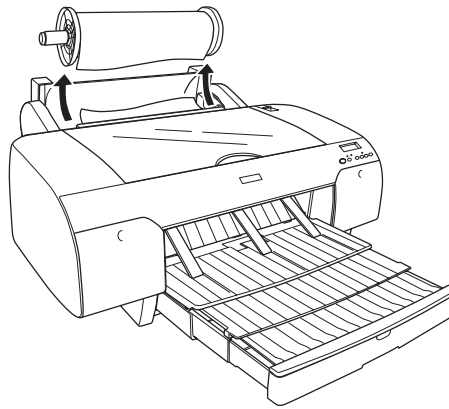
When roll paper gets jammed in the printer, printing stops and you see a **PAPER JAM** message on the LCD display. Follow these steps to clear a paper jam:

Caution: To avoid damaging the printer, never move the paper lever while the **Pause** light is flashing.

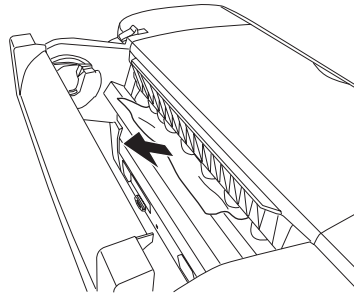
1. Turn off the printer, open the roll paper cover, and release the paper lever.



2. Cut the paper at the paper insertion slot, and remove the roll paper.

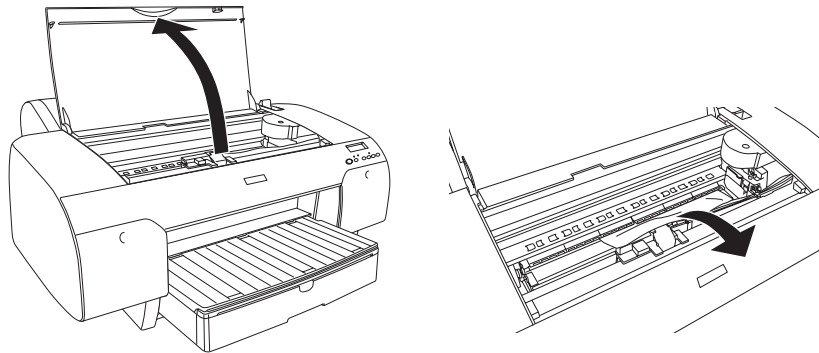



3. Remove the jammed paper from the front or back of the printer.



Caution: Be careful not to damage the print head when you pull out the paper.

4. If necessary, open the top cover and remove the jammed paper.

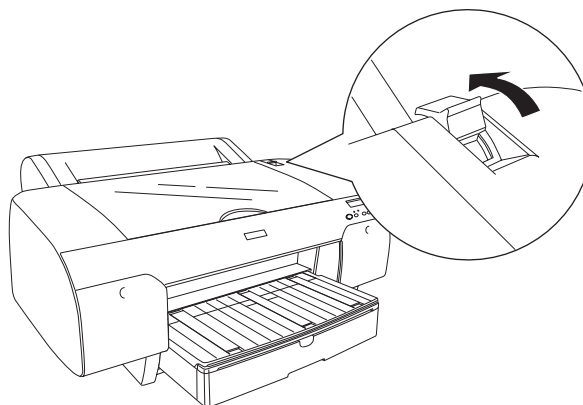


5. Make sure the  paper light is on and **LOAD PAPER** is displayed on the LCD panel. Then reload your paper.

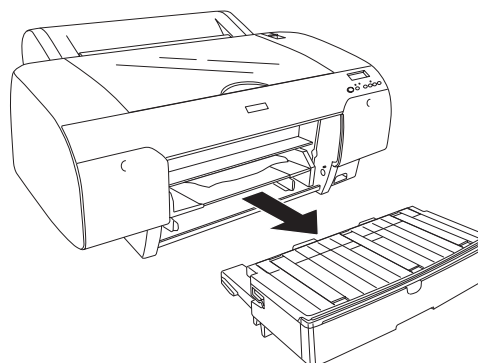
Clearing Paper Tray Jams

If paper gets jammed while feeding from the tray, follow these steps to clear it:

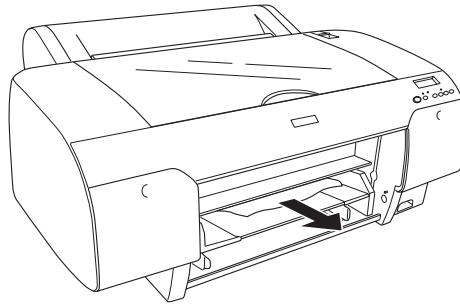
1. Turn off the printer and release the paper lever.



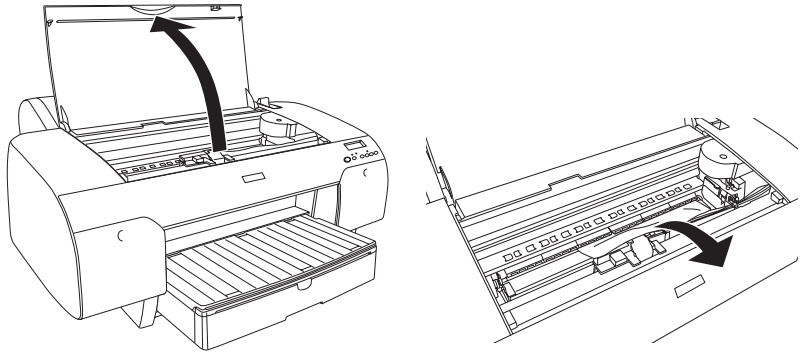
2. Remove the paper tray.



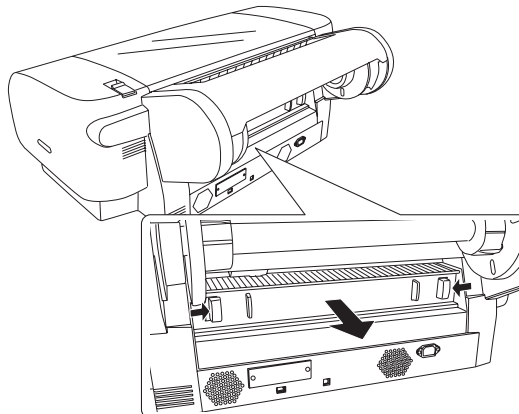
3. Carefully pull out the jammed paper.



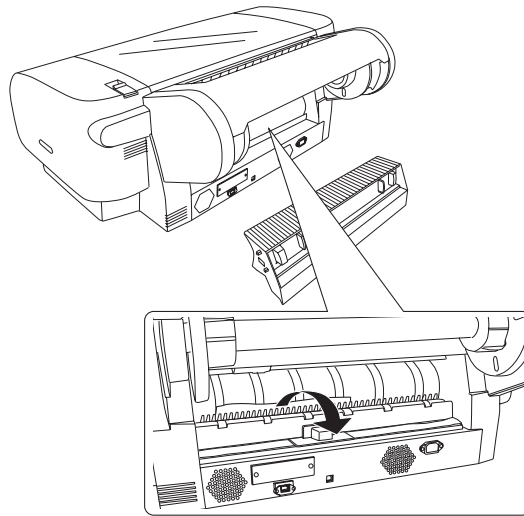
4. If paper is still jammed in the printer, open the top cover and remove it.



5. If paper is jammed around the rear cover, remove the cover by squeezing the square knobs and pulling the cover off the printer.



6. Then remove the paper.

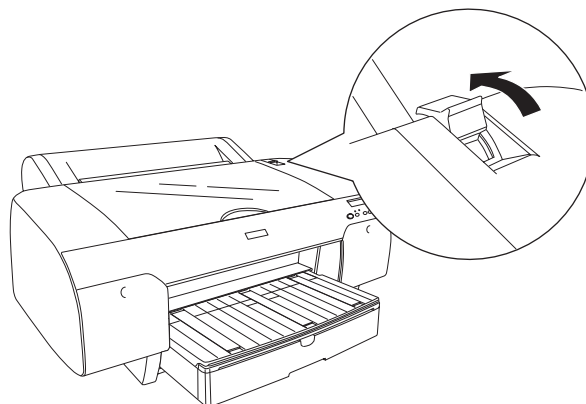


7. Reinstall the rear cover. Then press and hold the **||** Pause button if necessary to reset the printer.

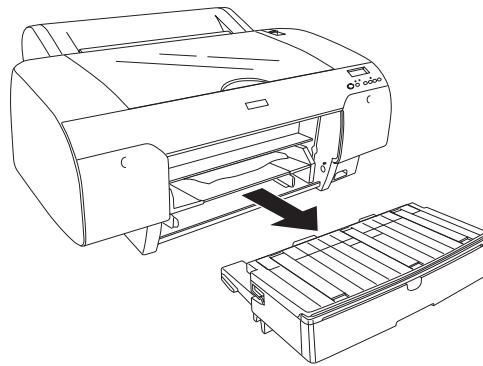
Clearing Paper Jams from the Manual Feed Slots

If paper is jammed in the front or rear manual feed slots, follow these steps to clear it:

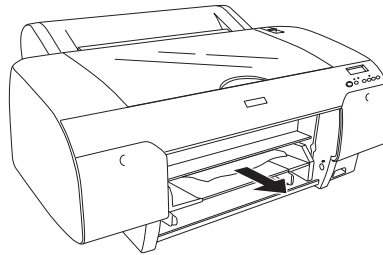
1. Turn off the printer and release the paper lever.



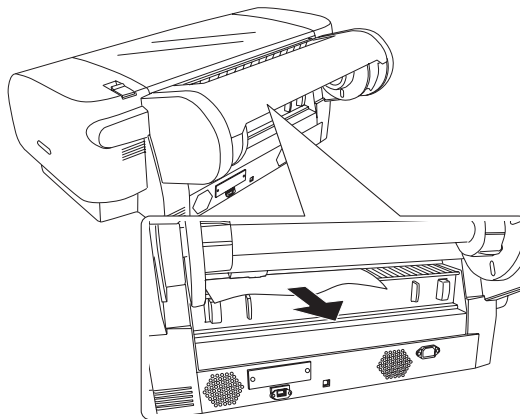
2. Remove the paper tray.



3. Carefully pull out the jammed paper.



4. If you can't reach the paper from the front, remove it from the back of the printer.



5. Press and hold the **||** Pause button if necessary to reset the printer.

Appendix A: Specifications

Environmental

	Operation	Storage
Temperature	50 to 95 °F (10 to 35 °C) Print quality guarantee: 59 to 77°F (15 to 25 °C)	–4 to 104 °F (–20 to 40 °C) (1 month at 104 °F)
Humidity (without condensation)	20 to 80% RH 40 to 60% RH for optimum print quality For optimal operation, humidity should be between 35 and 45% RH	20 to 85% RH

Electrical

Specification	Description
Input voltage range	90 V to 264 V
Rated frequency range	50 to 60 Hz
Input frequency range	49 to 61 Hz
Rated current	1.0 A at 120 V 0.5 A at 220 V
Power consumption	Approx. 52 W or less (ISO 10561 letter pattern) 5 W or less in standby mode 1 W or less in power off mode

Check the label on the back of your printer for voltage information.

Dimensions

Specification	With tray and roll holder	Without tray and roll holder
Height	14 inches	13 inches
Width	33.9 inches	33.9 inches
Depth	29.5 inches	18.5 inches

Weight

Printer with tray and roll holder 88.6 lb

Printer Interfaces

- USB (1.1 and 2.0 compatible)
- IEEE-1394 FireWire

In addition, a Type-B expansion slot is available for installing an optional internal Ethernet network card (10/100 Base TX).

Safety Approvals

Safety standards UL 60950, CSA 22.2 No. 60950

EMC FCC part 15 subpart B, class B, CSA C108.8 class B

Media

Roll Paper

Maximum roll width 17 inches

Maximum roll length Up to 147 feet for 2-inch cored media
Up to 662 feet for 3-inch cored media

Weight range 17 to 24 lb (64 to 90 g/sm)

Roll paper compatibility Handles both 2- and 3-inch cored media

Maximum roll paper diameter 4 inches (2-inch core) or
6 inches (3-inch core)

Cut Sheets

Sizes	8 × 10 inches
	A4 (8.3 × 11.7 inches)
	Letter (8.5 × 11 inches)
	B4 (JB4) (10.1 × 14.2 inches)
	11 × 14 inches
	30 × 40 cm (11.8 × 15.7 inches)
	A3 (11.7 × 16.5 inches)
	US B (11 × 17 inches)
	Super A3/B (13 × 19 inches)
	B3 (JB3) (14.2 × 20.3 inches)
	16 × 20 inches
	40 × 60 cm (15.7 × 23.6 inches)
	A2 (16.5 × 23.4 inches)
	US C (17 × 22 inches)
Weight range	17 lb bond up to 24 lb posterboard

Since the quality of any particular brand or type of paper may be changed by the manufacturer at any time, Epson cannot attest to the quality of any non-Epson brand or type of paper. Always test samples of paper stock before purchasing large quantities or printing large jobs.

Poor quality paper may reduce print quality and cause paper jams or other problems. If you encounter problems, switch to a higher grade of paper. Do not use curled, folded, or deckle-edge paper.

Printable Area

Default roll paper margins are 0.12 inches (3 mm) top and bottom, and 0.12 inches (3 mm) right and left. Using the Menu system, you can set all the margins to 15 mm or 3 mm.

Default cut sheet margins are 0.12 inch (3 mm) top, right, and left, and 0.56 inch (15 mm) bottom.

The borderless printing feature allows edge-to-edge printing on some media.

Ink Cartridges

Cartridge life 2 years from production date if unopened; within 6 months after opening package, at 77 °F (25 °C)

Temperature

Storage (uninstalled) -22 to 104 °F (-30 to 40 °C); 1 month at 104 °F

Storage (installed) -4 to 104 °F (-20 to 40 °C); 1 month at 104 °F

Capacity 110 or 220 ml

Weight

110 ml Approximately 0.44 lb (200 g)

220 ml Approximately 0.85 lb (385 g)

Index

A

- Accessories, 10, 110
- Aligning print head, 107 to 108
- Auto Cut setting
 - Mac OS X, 74
 - Windows, 89
- Auto Rotate setting
 - Windows, 90

B

- Banding, 135
- Black ink, changing, 113 to 115
- Blank pages, 140
- Blurry prints, 137
- Borderless printing
 - Mac OS X, 65
 - Windows, 87, 91
- Buttons, control panel, 130

C

- Cable
 - printer, 22 to 23
 - problems, 139
 - requirements, 11
- Canceling print jobs
 - Mac OS X, 80
 - Windows, 98
- Cartridges, *see* Ink cartridges
- Changing black ink, 113 to 115
- Cleaner (cleaning unit), checking
 - status, 102 to 104
- Cleaning
 - print head, 104 to 106, 116
 - printer, 123
- Color management
 - Mac OS X, 71 to 72
 - Windows, 93
- Color problems, 140
- ColorSync settings, 71

- Component life, checking, 102 to 104
- Configuration options
 - Windows, 98 to 100
- Connecting printer, 22 to 23
- Control panel
 - aligning print head, 107 to 108
 - buttons, 130
 - changing language, 116
 - changing measurement units, 116
 - cleaning print head, 106
 - component life, checking,
 - 102 to 104
 - illustration, 130
 - ink levels, checking, 102 to 104,
 - 109
 - lights, 130 to 134
 - messages, 130 to 134
 - monitoring printer, 130 to 134
 - restoring default settings, 116
 - status check, printing, 102
- CR (carriage) motor, checking status,
 - 102 to 104
- Custom paper size
 - Mac OS X, 66
 - Windows, 90
- Custom Preset, 75 to 76
- Cut sheet paper
 - heavy stock, 46 to 49
 - loading, 38 to 49
 - paper paths, 39 to 40
 - printable area, 151
 - tray capacity, 40
- Cutter
 - cutting paper manually, 57
 - ordering replacement blade, 10
 - replacing blade, 118 to 121

D

- Date and time setting, 116
- Deleting print jobs
 - Mac OS X, 80
 - Windows, 98
- Depth of printer, 149
- Diagnosing problems, 129
- Dimensions of printer, 149
- Documentation, how to use, 9

E

- Electrical specifications, 149
- Energy consumption, 149
- ENERGY STAR, 12
- Environmental specifications, 149
- Epson
 - accessories, 10, 110
 - help, 10 to 11
 - media, 50
 - Preferred Protection Plan, 10
 - Store, 10, 110
- EpsonNet print server card, installing, 23 to 25
- EpsonNet print server card, removing, 127
- Error messages, 131 to 134
- Error notification, Windows, 98 to 100
- Ethernet interface
 - card, installing, 23 to 25
 - card, ordering, 10
 - card, removing, 127
 - system requirements, 12
- Exhaust port cover, 19

F

- Faint prints, 137
- FireWire requirements, 11, 12
- Firmware, updating, 30 to 36
- Flip Horizontal setting
 - Mac OS X, 70
 - problems, 140
 - Windows, 92

H

- Head Alignment menu, 107
- Head unit (print head), checking
 - status, 102 to 104
- Heavy media, cutting, 57
- Height of printer, 149
- Help, Epson, 10 to 11
- Hex dump, 116
- High Speed Copies setting
 - Windows, 99
- High Speed setting
 - Mac OS X, 70
 - Windows, 92
- Humidity requirements, 149

I

- ICM setting, 93
- Ink
 - lightfastness, 152
 - maintenance tank, 102 to 104
 - monitoring level, 80 to 82, 98, 104
- Ink cartridges
 - changing black, 113 to 115
 - checking status, 102 to 104, 109
 - installing, 20 to 22
 - ordering, 110
 - replacing, 108 to 113
 - safety instructions, 15
 - specifications, 152
- Ink light, 130 to 134

J

Jams, paper, 142 to 147
 Job history, 104

L

Layout
 Mac OS X options, 64 to 66
 Windows options, 86 to 90
 LFP Remote Panel, 30 to 36
 Lightfastness, 152
 Lights, control panel, 130 to 134

M

Mac OS X
 basic print options, 67 to 70
 borderless printing, 65
 canceling print jobs, 80
 checking ink levels, 80 to 82
 color management, 71 to 72
 custom preset, 75 to 76
 monitoring print jobs, 79 to 80
 page setup options, 64 to 66
 paper configuration settings,
 72 to 73
 Printer Utility, 81
 roll paper options, 73 to 74
 software, uninstalling, 126
 Status Monitor, 80 to 82
 system requirements, 11
 Macintosh
 installing software, 25 to 28
 Maintenance, 101 to 123
 Maintenance menu, 106, 118
 Maintenance mode, 116
 Maintenance tank
 ordering, 10
 replacing, 121 to 122
 checking status, 102 to 104
 Manuals, how to use, 9

Margins

incorrect, 140
 minimum, 151
 printing without, 65, 87, 91

Media Type

Mac OS X, 68
 Windows, 85

Memory

requirements, 11 to 12

Monitoring printer

control panel, 130 to 134
 Mac OS X, 79 to 80, 80 to 82
 Windows, 97 to 100

Motors, checking status, 102 to 104

Moving printer, 123 to 126

N

Network card, installing, 23 to 25
 Network card, removing, 127

O

Optional equipment, 10

P

Page Line setting
 control panel, 58
 Mac OS X, 74
 Windows, 90
 Page setup options
 Mac OS X, 64 to 66

- Paper
 - attaching to spindle, 51
 - configuration settings, 93 to 95, 137
 - custom settings, 59 to 61
 - custom size, 66
 - custom size, creating, 90
 - cut sheet, 38 to 49
 - Epson, 50
 - handling, 37 to 61
 - heavy stock, 46 to 49
 - jams, 142 to 147
 - loading in tray, 38 to 45
 - loading manually, 46 to 49
 - Mac OS X options, 64 to 66
 - non-Epson, 59 to 61
 - ordering, 50
 - printable area, 151
 - problems, 141 to 147
 - removing from spindle, 56
 - roll, 50 to 58
 - specifications, 150
 - suction, 61, 73, 94
 - trim lines, 58, 74, 90
 - Windows options, 86 to 90
- Paper cutter
 - replacing blade, 118 to 121
- Paper light, 130 to 134
- Paper paths, 39 to 40
- Paper Size setting
 - Mac OS X, 66
 - problems, 140
 - Windows, 90
- Paper Source setting
 - problems, 140
 - Windows, 87, 88
- Paper tray
 - capacity, 40
 - loading, 38 to 45
- Pause light, 130 to 134
- Pausing print jobs
 - Mac OS X, 80
 - Windows, 98
- PF (paper feed) motor, checking status, 102 to 104
- PhotoEnhance, 93
- Platen gap setting, 137
- Plugging in printer, 19
- Posterboard, 46 to 49
- Power cleaning cycle, 106
- Power consumption, 149
- Print head
 - aligning, 107 to 108
 - checking status, 102 to 104
 - cleaning, 104 to 106, 116
 - locking, 125
 - unlocking, 18
- Print jobs
 - canceling, 80, 98
 - managing, 97 to 100
 - pausing, 80, 98
- Print quality
 - Mac OS X, 70
 - problems, 135 to 137
 - Windows, 92
- Print server
 - installing, 23 to 25
 - removing, 127
- Printable area, 151

Printer

- checking status, 80 to 82, 102 to 104
- cleaning, 123
- connecting, 22 to 23
- dimensions, 149
- firmware update, 30 to 36
- maintaining, 101 to 123
- monitoring, 80 to 82, 97 to 100
- motors, checking status, 102 to 104
- moving, 123 to 126
- plugging in, 19
- port, 139
- setting up, 17 to 36
- software, uninstalling, 126
- specifications, 149 to 150
- stand, optional, 10
- status check, 102 to 104
- storing, 123 to 125
- total print volume, 104
- transporting, 123 to 126
- turning off, 14
- unpacking, 17 to 18
- weight, 150

Problems

- banding, 135
- blank paper, 140
- blurry prints, 137
- cable, 139
- color, 140
- diagnosing, 129
- faint prints, 137
- garbled characters, 139
- ghosting, 136
- graininess, 136
- inverted image, 140
- margin, 140
- misalignment, 135
- misregistration, 136
- nothing prints, 139
- operational, 138 to 139
- paper, 141 to 147
- paper feeding, 140

Problems, continued

- paper jams, 142 to 147
- print quality, 135 to 137
- printer driver, 139 to 140
- printing stops, 139
- roll paper cannot be cut, 140
- smear prints, 137, 140
- Progress Meter, 98, 99

R

- Registering non-Epson media, 59 to 61

- Requirements, system, 11 to 12

Resolution

- Mac OS X, 70
- Windows, 92

Roll paper

- attaching to spindle, 51
- cannot be cut, 140
- cutting manually, 57
- loading, 50 to 55
- Mac OS X settings, 73 to 74
- Page Line setting, 74
- printable area, 151
- removing from spindle, 56
- Save Roll Paper setting, 74, 90
- trim lines, 58, 74, 90
- Windows settings, 88 to 90

S**Safety**

- approvals, 150
- instructions, 13 to 15

- Save Roll Paper setting, 74, 90

SelecType menus

- Custom Paper, 59 to 61
- Cutter Replace, 118
- Head Alignment, 107
- Maintenance, 106, 118
- Printer Status, 103
- Test Print, 102

- Setting up printer, 17 to 36

Software
 installing in Mac OS X, 25 to 28
 installing in Windows, 28 to 30
 Software, uninstalling, 126
 Specifications
 electrical, 149
 environmental, 149
 ink cartridges, 152
 paper, 150
 printable area, 151
 printer, 149 to 150
 Speed and Progress utility, 98 to 100
 Spindle
 adapter, 56
 loading roll paper, 51
 purchasing additional, 10
 removing roll paper, 56
 Stand, optional printer, 10
 Status Monitor
 Mac OS X, 80 to 82
 Windows, 97 to 100
 Storing printer, 123 to 125
 Suction, 61, 73, 94
 Support, Epson, 10 to 11
 System requirements, 11 to 12

T

Technical support, 10 to 11
 Temperature requirements, 149
 Test Print menu, 102
 Time and date setting, 116
 Total prints, checking, 104
 Transporting printer, 123 to 126
 Trim lines, printing
 control panel, 58
 Mac OS X, 74
 Windows, 90
 Troubleshooting, 129 to 147

U

UltraChromeK3 ink cartridges, 110
 Ultrasonic cleaning cycle, 116
 Uninstalling software, 126
 Unit ID number, 11
 Unpacking, 17 to 18
 Usage count, 103
 USB
 cable requirements, 11, 12
 User-defined paper size, 90
 Utility menu
 Mac OS X, 81

W

Waste ink system, 102 to 104,
 121 to 122
 Weight of printer, 150
 Width of printer, 149
 Windows
 advanced print options, 91 to 97
 basic print options, 84 to 86
 borderless printing, 87, 91
 canceling print jobs, 98
 color management, 93
 driver, 83 to 97
 installing software, 28 to 30
 layout options, 86 to 90
 managing print jobs, 97 to 100
 monitoring preferences, setting,
 98 to 100
 optimizing print speed, 98 to 100
 paper configuration options,
 93 to 95
 roll paper options, 88 to 90
 software, uninstalling, 126
 Speed and Progress utility,
 98 to 100
 status alerts, 100
 Status Monitor, 97 to 100
 system requirements, 12
 user-defined paper size, 90